



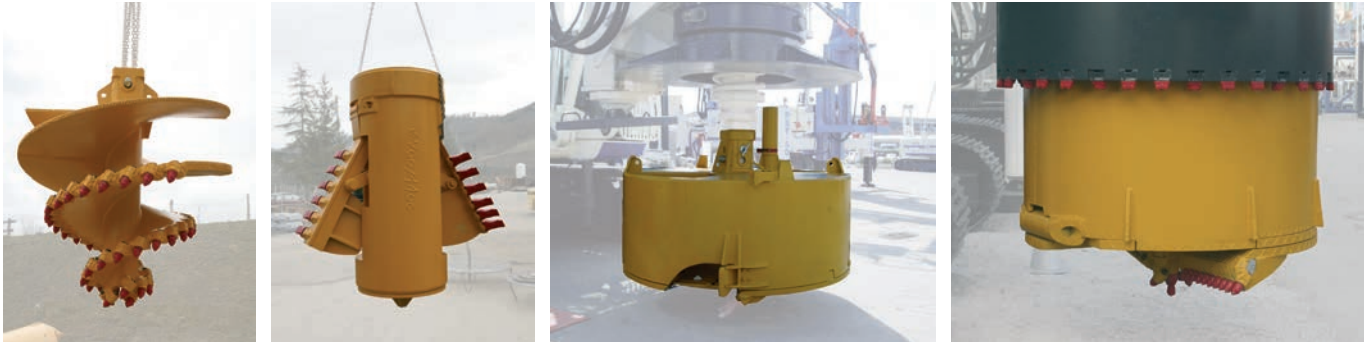
Drilling Tools

soilmeco
Drilling and Foundation Equipment

DRILLING TOOLS

Selecting the correct cutting tool is a complicated decision that any piling Contractor will face on every job in order to complete it on time and, therefore, the use of an appropriate tool capable of achieving the overall expected productivity level is vital. Soilmec has become a worldwide reference point based on over four decades of experience providing appropriate solutions in the underground engineering sector.

Soilmec drilling tools are the result of years of research, investigation and innovation in the mechanical excavation sector. Collecting data from different job sites, testing our tools in different soil conditions and studying the performance in environments varying from very soft soils to the most difficult geological conditions, understanding Clients needs and verifying performances, has positioned Soilmec as one of the most cost effective tools available on the market.



When time is of the essence, the High Quality steel used on our tools, the robust welding, accurate finishing and their durability have made our products the best available on the market.



Automated Teeth Positioning System

Drilling tools teeth alignment and assembling accuracy is imperative. Soilmec has introduced an Automatic Tooth Positioning where man errors or inaccuracies are avoided by a computerized assembling system. This sophisticated mechanical process guarantee accurateness, effectiveness and product Quality.



Soilmec drilling tool range includes general purpose Augers, boring Buckets, cleaning Buckets and core barrels amongst others. Standard Soilmec drilling tools range from small to large borehole diameters (400 mm - 2000 mm), and offer the possibility to mount kelly box size 130x130 mm, 150x150 mm and 200x200 mm.

Soilmec provides with complete drilling tools range which includes both standard drilling tools and customized drilling tools.

For an easy Soilmec drilling tools selection on this catalogue, our drilling tools has been divided between “coarse - cohesive soil” applications and “rock soil” applications.

Additionally and as a general guide, it has been proposed two matrix, first one for Coarse and Cohesive soils while the second one for Rock soils formation. On both of them it has been indicated Soilmec drilling tools expected range of application.

Coarse - Cohesive Soil

USCS (ASTM D-2487) Soil Description					Drilling Tool			
					BUCKET	AUGER	CORE BARREL	
Coarse Grained Soils	Gravels > 50% of coarse fraction retained on N°4 sieve	Clean Gravels	GW	33°-45° 0 KPa	Well-graded gravels and gravel-sand mixtures, little or no fines	SSB-G00 SSB-G25 SSB-GC00	Not recommended*	Not recommended**
			GP	33°-45° 0 kPa	Well-graded gravels and gravel-sand mixtures, little or no fines	SSB-G00 SSB-G25 SSB-GC00	Not recommended*	Not recommended**
		Gravel with Fines	GM	30°-40° 0 KPa	Silty gravels, gravel-sand-silt mixtures.> 12% fines	SSB-G00 SSB-G25 SSB-GC00	Not recommended*	Not recommended**
			GC	30°-40° 0 KPa	Clayey gravels, gravel-sand-clay mixtures.>12% fines	SSB-G00 SSB-G25 SSB-GC00	Not recommended*	Not recommended**
	Sands >=50% of coarse fraction retained on N°4 sieve	Clean Sands	SW	30°-40° 0 KPa	Well grade sand, fine to coarse sand	SSB-G00; SSB-G25 SSB-GC00; SSB-W30	Not recommended*	Not recommended**
			SP	30°-40° 0 KPa	Poorly-graded sand	SSB-G00; SSB-G25 SSB-GC00; SSB-W30	Not recommended*	Not recommended**
		Sands with Fines	SM	28°-35° 0 KPa	Silty sand, sand-silt mixtures	SSB-G00; SSB-G25 SSB-GC00; SSB-W30 SSB-H05; SSB-CN60	SSA-26 SSA-30 SSA-36	Not recommended**
			SC	28°-35° 0 KPa	Clayey sands, sand-clay mixtures	SSB-G00; SSB-G25 SSB-GC00; SSB-W30 SSB-H05; SSB-CN60	SSA-26 SSA-30 SSA-36	Not recommended**
Fine Grained Soils	Silts and Clays liquid limit (LL)< 50	ML	0-200 KPa	Inorganic silts, very fine sands, rock flour, silty or clayey fine sands	SSB-00; SSB-W30 SSB-H05; SSB-CN60	SSA-20 SSA-30 SSA-36	Not recommended**	
		CL	0-300 KPa	Inorganic clays of low to medium plasticity, gravelly/sandy/silty /ean clays	SSB-00; SSB-W30 SSB-H05; SSB-CN60	SSA-20 SSA-30 SSA-36	Not recommended**	
		OL	0-200 KPa	Organic silts and organic silty clays of low plasticity	SSB-00; SSB-W30 SSB-H05; SSB-CN60	SSA-20 SSA-30 SSA-36	Not recommended**	
	Silts and Clays liquid limit (LL)>= 50	MH	0-20 KPa	Silt of high plasticity, elastic silt	SSB-00; SSB-W30 SSB-H05; SSB-CN60 SSB-SP00; SSB-H01	SSA-20; SSA-21 SSA-30; SSA-36	Not recommended**	
		CH	0-200 KPa	Clay of high plasticity, fat clay	SSB-00; SSB-W30 SSB-H05; SSB-CN60 SSB-SP00; SSB-H01	SSA-20; SSA-21 SSA-30; SSA-36	Not recommended**	
		OH	0-10 KPa	Organic clay, organic silt	SSB-00; SSB-W30 SSB-H05; SSB-CN60 SSB-SP00; SSB-H01	SSA-20; SSA-21 SSA-30; SSA-36	Not recommended**	
Highly Organic Soils	Pt	0-10 KPa	Peat muck and other highly organics soils	SSB-00; SSB-W30 SSB-H05; SSB-CN60 SSB-SP00; SSB-H01	SSA-20; SSA-21 SSA-30; SSA-36	Not recommended**		

Prefix: **G** = Gravel, **S** = Sand, **M** = Silt, **C** = Clay, **O** = Organic - Suffix: **W** = Well Graded, **P** = Poorly Graded, **M** = Silty, **L** = Clay, **LL** < 50 %, **H** = Caly, **LL** > 50%

* In cohesionless materials, Auger may not have expected productivity because soil material will not stay on the Auger flights during extraction.

** Not able to extract soil material from drilled hole. Backup tool in case of Boulders presence.

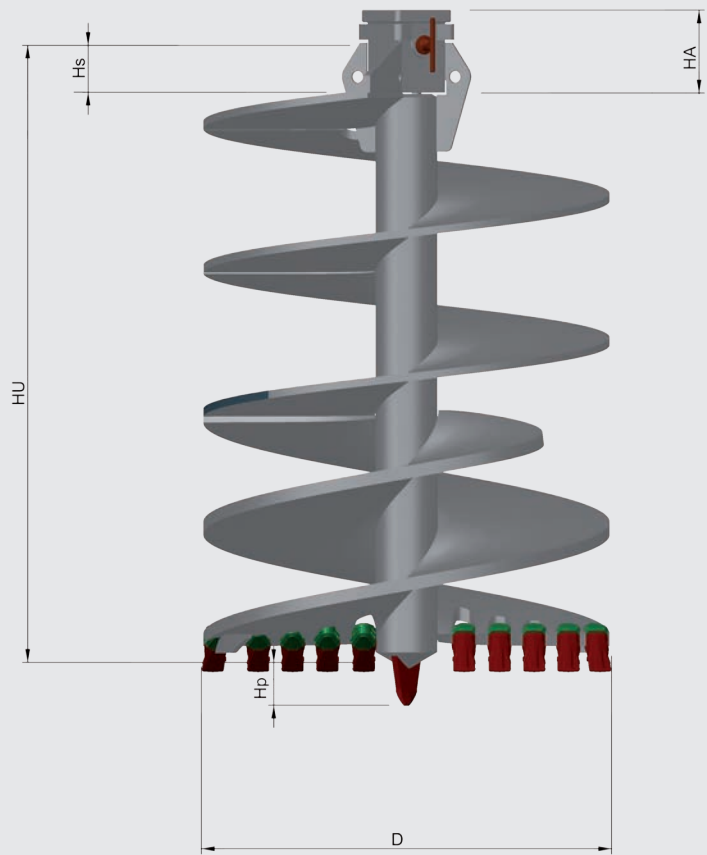
SSA - Soilmec Soil Augers

Reference scheme for reading the following tables

Kelly box type	130x130	150x150	200x200
HA (mm)	260	300	435
Hs (mm)	150	160	124

The weight shown in the tables refers to tools with kelly box 130 x 130

The teeth type to choose must be related to tool diameter

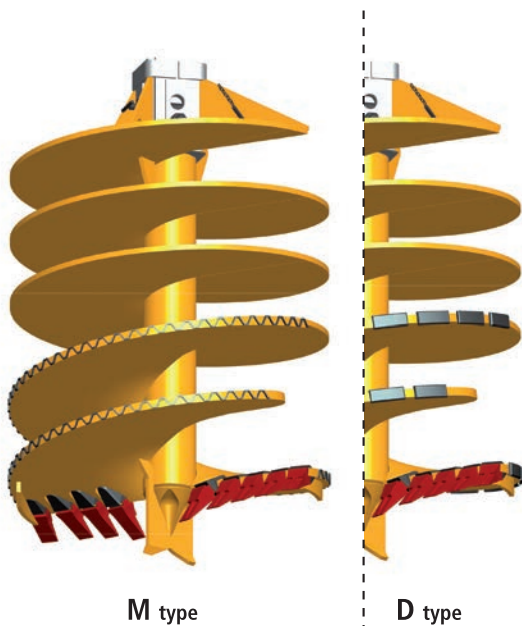


SSA - 20 (Auger)

AUGER for fine grained and organic soils like silty or clayey fine sands, organic/inorganic silts; high/medium/low plasticity clays; fat clays; peat; muck.

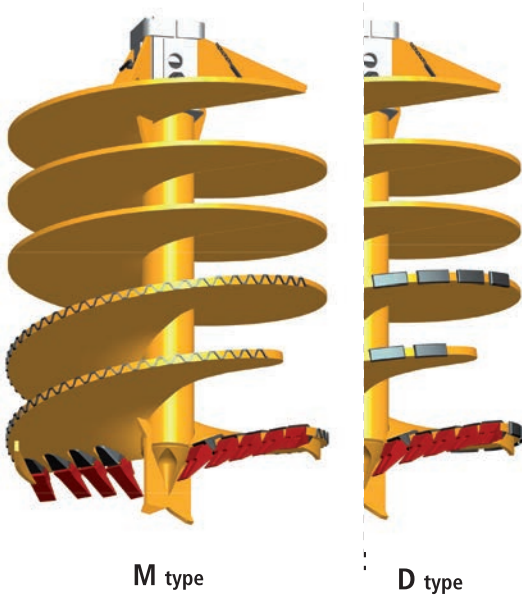
USCS soils: ML, CL, OL, MH, CH, OH, Pt .

Teeth: Flat ESCO V18, U20 and U25



D [mm]	HU [mm]			Hp [mm]	Approx. weight [kg]
	130x130	150x150	200x200		
400	1723	1733	1697	60	260
500	1723	1733	1697	60	330
600	1723	1733	1697	60	410
700	1723	1733	1697	60	490
800	1740	1750	1714	40	560
900	1740	1750	1714	40	650
1000	1740	1750	1714	40	720
1100	1700	1710	1674	40	780
1200	1700	1710	1674	40	910
1300	1700	1710	1674	40	1070
1400	1700	1710	1674	40	1250
1500	1760	1770	1734	20	1510
1600	1760	1770	1734	20	1680
1700	1760	1770	1734	20	1870
1800	1760	1770	1734	20	2075
1900	1760	1770	1734	20	2440
2000	1760	1770	1734	20	2650

SSA - 30 (Heavy Duty Auger)



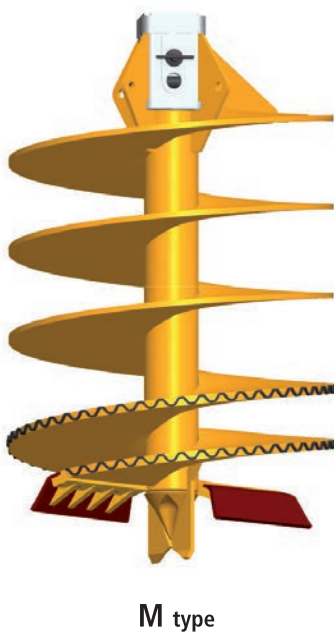
Heavy Duty AUGER for sand with fines, fine grained and organic soils like silty sands, sand-silt mixtures, clayey sand, sand-clay mixtures, organic and inorganic silts; high/medium/low plasticity clays; fat clays; peat; muck.

USCS soils: SM, SC, ML, CL, OL, MH, CH, OH, Pt.

Teeth: Flat ESCO V18, U20 and U25

D [mm]	HU [mm]			Hp [mm]	Approx. weight [kg]
	130x130	150x150	200x200		
400	2030	2040	2004	60	375
500	2030	2040	2004	60	460
600	1980	1990	1954	60	510
700	1980	1990	1954	60	625
800	2020	2030	1994	60	745
900	2020	2030	1994	40	875
1000	2020	2030	1994	40	1040
1100	1990	2000	1964	40	1125
1200	1990	2000	1964	40	1295
1300	1990	2000	1964	40	1475
1400	1990	2000	1964	40	1685
1500	2020	2030	1994	20	1340
1600	2020	2030	1994	20	1485
1700	2020	2030	1994	20	1645
1800	2020	2030	1994	20	1810
1900	2020	2030	1994	20	1985
2000	2020	2030	1994	20	2170
2200	1920	1930	1894	20	2575
2500	1920	1930	1894	20	3180
2800	1920	1930	1894	20	3450
3000	1920	1930	1894	20	3880

SSA - 21 (Double Blade Auger)



AUGER for highly organic soil; high/medium plasticity clays; fat clays; peat; muck.

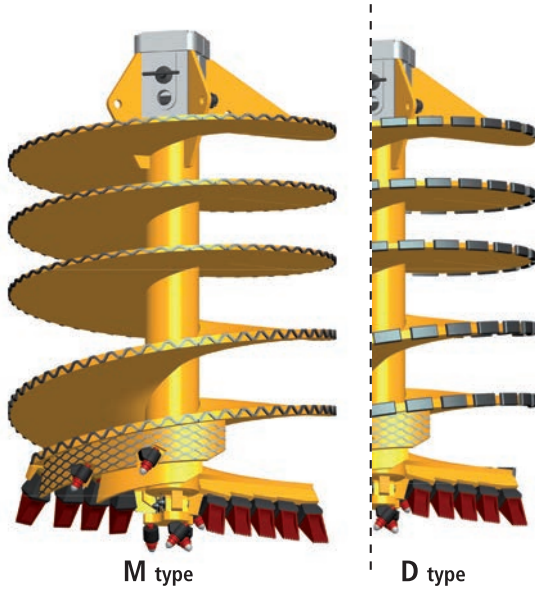
USCS soils: MH, CH, OH, Pt.

Teeth: Flat ESCO V18, U20 and U25

D [mm]	HU [mm]			Hp [mm]	Approx. weight [kg]
	130x130	150x150	200x200		
400	1723	1733	1697	60	375
500	1723	1733	1697	60	460
600	1723	1733	1697	60	510
700	1723	1733	1697	60	625
800	1740	1750	1714	40	745
900	1740	1750	1714	40	875
1000	1740	1750	1714	40	1040
1100	1700	1710	1674	40	1125
1200	1700	1710	1674	40	1295
1300	1700	1710	1674	40	1475
1400	1700	1710	1674	40	1685
1500	1760	1770	1734	20	1340
1600	1760	1770	1734	20	1485
1700	1760	1770	1734	20	1645
1800	1760	1770	1734	20	1810
1900	1760	1770	1734	20	1985
2000	1760	1770	1734	20	2170

SSA - Soilmec Soil Augers

SSA - 26 (Double Blade Auger)



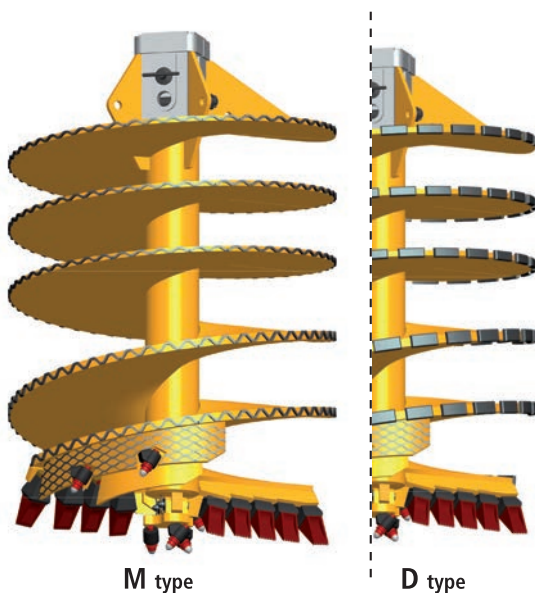
AUGER for highly organic soil; high/medium plasticity clays, fat clays; peat; muck.

USCS soils: MH, CH, OH, Pt .

Teeth: Betek BFZ69 and 25 mm Shank

D [mm]	HU [mm]			Hp [mm]	Approx. weight [kg]
	130x130	150x150	200x200		
400	1763	1773	1737	79	530
500	1763	1773	1737	88	610
600	1763	1773	1737	97	655
700	1763	1773	1737	105	760
800	1760	1770	1734	114	870
900	1760	1770	1734	123	985
1000	1760	1770	1734	132	1137
1100	1720	1730	1694	141	1215
1200	1720	1730	1694	150	1460
1300	1720	1730	1694	158	1530
1400	1720	1730	1694	167	1725
1500	1760	1770	1734	176	1410
1600	1760	1770	1734	185	1640
1700	1760	1770	1734	194	1800
1800	1760	1770	1734	202	1960
1900	1760	1770	1734	211	2130
2000	1760	1770	1734	220	2310

SSA - 36 (Heavy Duty - Double Start Hard Soil Auger)



Heavy Duty AUGER for conglomerate soil, small size boulders (up to Ø 40mm), cobbles with sand and fines, cobbles with fine grained and organic soils like silty sands, sand-silt mixtures, clayey sand, sand-clay mixtures, organic and inorganic silts; cobbles with high/medium/low plasticity clays; cobbles with fat clays; cobbles with peat; cobbles with muck.

USCS soils: SM,SC, ML, CL, OL, MH, CH, OH, Pt .

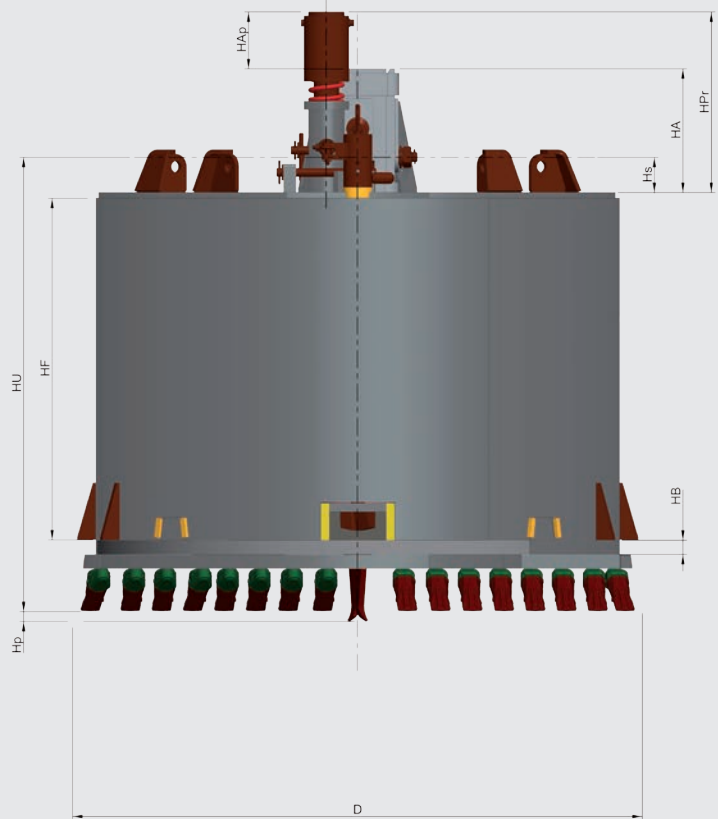
Teeth: Betek BFZ162 and 30/38 Shank

D [mm]	HU [mm]			Hp [mm]	Approx. weight [kg]
	130x130	150x150	200x200		
400	2070	2080	2044	79	575
500	2070	2080	2044	88	660
600	2020	2030	1994	97	710
700	2020	2030	1994	105	825
800	2040	2050	2014	114	945
900	2040	2050	2014	123	1075
1000	2040	2050	2014	132	1240
1100	2010	2020	1984	141	1325
1200	2010	2020	1984	150	1595
1300	2010	2020	1984	158	1675
1400	2010	2020	1984	167	1885
1500	2020	2030	1994	176	1540
1600	2020	2030	1994	185	1685
1700	2020	2030	1994	194	1845
1800	2020	2030	1994	202	2010
1900	2020	2030	1994	211	2185
2000	2020	2030	1994	220	2370
2200	1920	1930	1894	229	2780
2500	1920	1930	1894	238	3355
2800	1920	1930	1894	247	3680
3000	1920	1930	1894	256	3995

SSB - Soilmec Soil Buckets

Reference scheme for reading the following tables

Kelly box type	130x130	150x150	200x200
HA (mm)	260	300	435
Hs (mm)	150	160	124



The weight shown in the tables refers to tools with kelly box 130 x 130

The teeth type to choose must be related to tool diameter

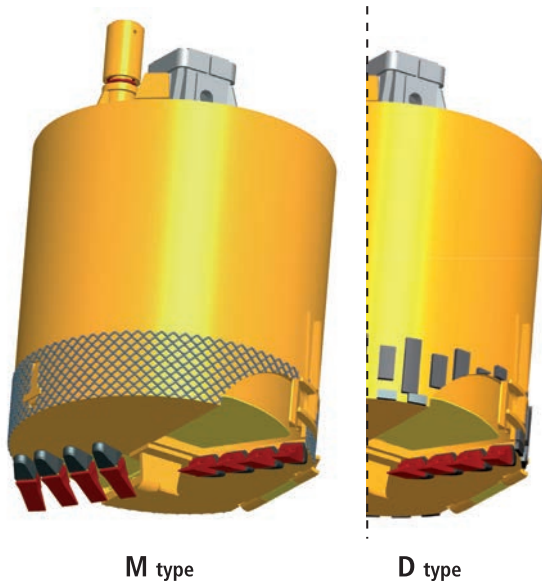
SSB - 00 (Bucket)

BUCKET for fine grained and organic soils like silty or clayey fine sands, organic/inorganic silts; high/medium/low plasticity clays; fat clays; peat; muck.

USCS soils: ML, CL, OL, MH, CH, OH, Pt.

Teeth: ESCO V18, U20 and U25

HF_Body Length: 1000 mm



D [mm]	HU [mm]			HPr [mm]	Hp [mm]	Approx. weight [kg]
	130x130	150x150	200x200			
400	1205	1215	1179	370	60	288
500	1205	1215	1179	370	60	335
600	1205	1215	1179	370	60	402
700	1205	1215	1179	370	60	469
800	1205	1215	1179	370	40	615
900	1205	1215	1179	370	40	683
1000	1205	1215	1179	495	40	804
1100	1205	1215	1179	495	40	837
1200	1205	1215	1179	495	40	1017
1300	1205	1215	1179	495	40	1123
1400	1205	1215	1179	495	40	1227
1500	1205	1215	1179	495	20	1334
1600	1205	1215	1179	495	20	1476
1700	1205	1215	1179	495	20	1590
1800	1205	1215	1179	495	20	1998
1900	1205	1215	1179	495	20	2186
2000	1205	1215	1179	495	20	2335

SSB - Soilmec Soil Buckets

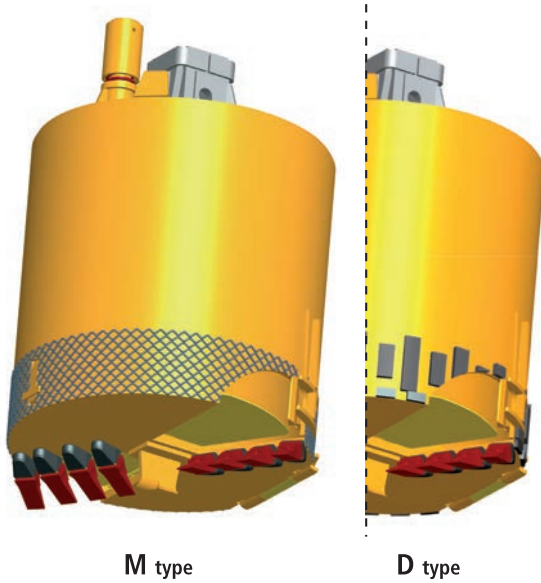
SSB - H05 (Heavy Duty Bucket)

Heavy Duty BUCKET for sand with fines, fine grained and organic soils like silty sands, sand-silt mixtures, clayey sand, sand-clay mixtures, organic and inorganic silts; high/medium/low plasticity clays; fat clays; peat; muck.

USCS soils: SM, SC, ML, CL, OL, MH, CH, OH, Pt.

Teeth: ESCO V18, U20 and U25

HF_Body Length: 1200 mm



M type

D type

D [mm]	HU [mm]			HPr [mm]	Hp [mm]	Approx. weight [kg]
	130x130	150x150	200x200			
400	1545	1555	1519	370	60	455
500	1545	1555	1519	370	60	505
600	1545	1555	1519	370	60	575
700	1545	1555	1519	370	60	680
800	1565	1575	1539	370	40	785
900	1565	1575	1539	370	40	945
1000	1565	1575	1539	495	40	1100
1100	1565	1575	1539	495	40	1270
1200	1565	1575	1539	495	40	1440
1300	1565	1575	1539	495	40	1615
1400	1565	1575	1539	495	40	1790
1500	1585	1595	1559	495	20	1960
1600	1585	1595	1559	495	20	2105
1700	1585	1595	1559	495	20	2250
1800	1585	1595	1559	495	20	2395
1900	1585	1595	1559	495	20	2510
2000	1585	1595	1559	495	20	2630

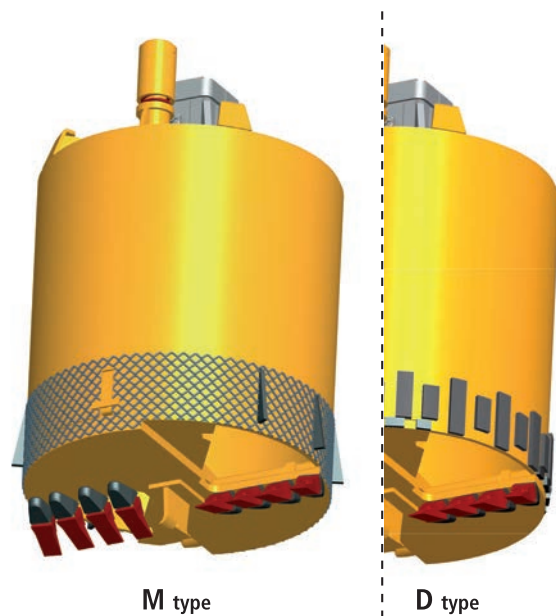
SSB - G00 (Guillotine Bucket)

Guillotine BUCKET mainly for sands with 50% or more coarse fraction retained on N° 4 sieve like clean sands and sands with fines.

USCS soils: SW, SP, SM, SC.

Teeth: ESCO V18, U20 and U25

HF_Body Length: 1000 mm



M type

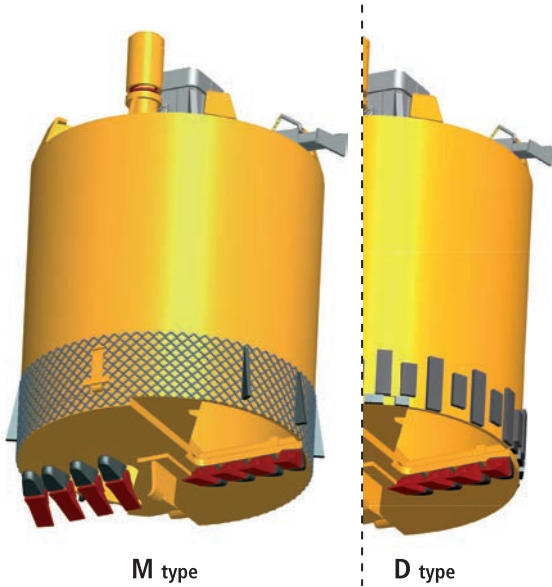
D type

D [mm]	HU [mm]			HPr [mm]	Hp [mm]	Approx. weight [kg]
	130x130	150x150	200x200			
400	1245	1255	1219	370	60	325
500	1245	1255	1219	370	60	370
600	1245	1255	1219	370	60	440
700	1245	1255	1219	370	60	515
800	1245	1255	1219	370	40	674
900	1245	1255	1219	370	40	759
1000	1245	1255	1219	495	40	895
1100	1245	1255	1219	495	40	928
1200	1245	1255	1219	495	40	1149
1300	1245	1255	1219	495	40	1275
1400	1245	1255	1219	495	40	1399
1500	1245	1255	1219	495	20	1568
1600	1245	1255	1219	495	20	1696
1700	1245	1255	1219	495	20	1839
1800	1245	1255	1219	495	20	2273
1900	1245	1255	1219	495	20	2515
2000	1245	1255	1219	495	20	2692

SSB - Soilmec Soil Buckets

SSB - G25 (Heavy Duty Guillotine Bucket)

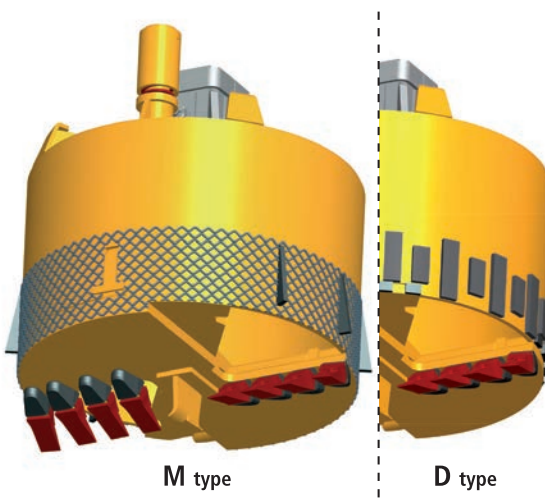
Heavy Duty Guillotine BUCKET for coarse grained soils like clean gravels, gravel with fines, clean sands and sands with fines.
USCS soils: GW, GP, GM, GC SW, SP, SM, SC.
Teeth: ESCO V18, U20 and U25
HF_Body Length: 1200 mm



D [mm]	HU [mm]			HPr [mm]	Hp [mm]	Approx. weight [kg]
	130x130	150x150	200x200			
400	1590	1600	1564	370	60	580
500	1590	1600	1564	370	60	625
600	1590	1600	1564	370	60	685
700	1590	1600	1564	370	60	790
800	1610	1620	1584	370	40	895
900	1610	1620	1584	370	40	1070
1000	1610	1620	1584	495	40	1250
1100	1610	1620	1584	495	40	1445
1200	1610	1620	1584	495	40	1645
1300	1610	1620	1584	495	40	1850
1400	1610	1620	1584	495	40	2060
1500	1630	1640	1604	495	20	2265
1600	1630	1640	1604	495	20	2475
1700	1630	1640	1604	495	20	2680
1800	1630	1640	1604	495	20	2885
1900	1630	1640	1604	495	20	3095
2000	1630	1640	1604	495	20	3300

SSB - W30 (Compact Guillotine Bucket)

Compact BUCKET for clean sands, sands with fines, fine grained and organic soils like well graded sand, fine to coarse sand, silty sands, clayey sands, silty or clayey fine sands, organic/inorganic silts; high/medium/low plasticity clays; fat clays; peat; muck.
USCS soils: SW, SP, SM, SC, ML, CL, OL, MH, CH, OH, Pt .
Teeth: ESCO V18, U20 and U25
HF_Body Length: 700 mm



D [mm]	HU [mm]			HPr [mm]	Hp [mm]	Approx. weight [kg]
	130x130	150x150	200x200			
1700	945	955	919	495	20	1710
1800	945	955	919	495	20	1845
1900	945	955	919	495	20	1980
2000	945	955	919	495	20	2115
2200	945	955	919	495	20	2380
2500	945	955	919	495	20	2650
2800	945	955	919	495	20	2980
3000	945	955	919	495	20	3150

SSB - Soilmec Soil Buckets

SSB - CN60

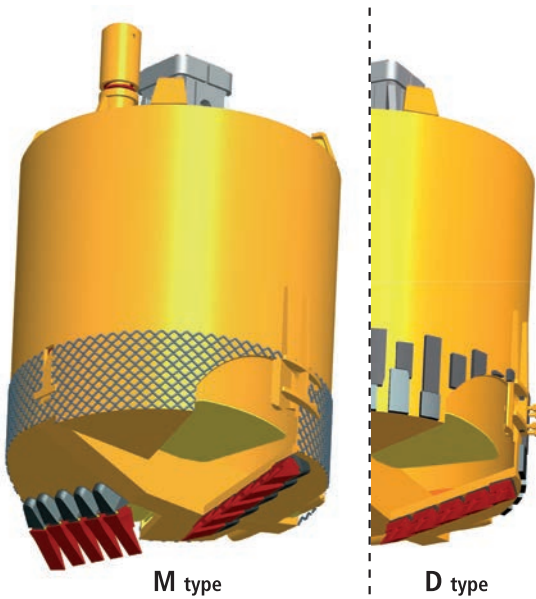
(Heavy Duty Conical Bottom Bucket)

Heavy Duty Conical bottom BUCKET for sand with fines, fine grained and organic soils like silty sands, sand-silt mixtures, clayey sand, sand-clay mixtures, organic and inorganic silts; high/medium/low plasticity clays; fat clays; peat; muck.

USCS soils: SM, SC, ML, CL, OL, MH, CH, OH, Pt.

Teeth: ESCO V18, U20 and U25

HF_Body Length: 1200 mm



D [mm]	HU [mm]			HPr [mm]	Hp [mm]	Approx. weight [kg]
	130x130	150x150	200x200			
400	1655	1665	1629	370	68	370
500	1655	1665	1629	370	77	440
600	1655	1665	1629	370	86	550
700	1655	1665	1629	370	94	730
800	1655	1665	1629	370	83	930
900	1655	1665	1629	370	92	1110
1000	1655	1665	1629	495	101	1295
1100	1655	1665	1629	495	110	1480
1200	1655	1665	1629	495	118	1665
1300	1655	1665	1629	495	127	1875
1400	1655	1665	1629	495	136	2090
1500	1655	1665	1629	495	125	2305
1600	1655	1665	1629	495	134	2505
1700	1655	1665	1629	495	143	2700
1800	1655	1665	1629	495	151	2900
1900	1655	1665	1629	495	160	3100
2000	1655	1665	1629	495	169	3295

SSB - GC00

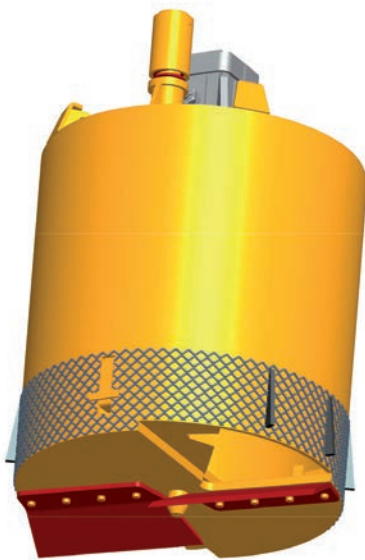
(Guillotine Cleaning Bucket)

Heavy Duty Guillotine Cleaning BUCKET for coarse grained soils like clean gravels, gravel with fines, clean sands and sands with fines.

USCS soils: GW, GP, GM, GC SW, SP, SM, SC.

Teeth: Hardox Blade

HF_Body Length: 1000 mm



D [mm]	HU [mm]			HPr [mm]	Hp [mm]	Approx. weight [kg]
	130x130	150x150	200x200			
400	1325	1335	1299	370	60	435
500	1325	1335	1299	370	60	495
600	1325	1335	1299	370	60	550
700	1325	1335	1299	370	60	635
800	1325	1335	1299	370	40	715
900	1325	1335	1299	370	40	850
1000	1325	1335	1299	495	40	990
1100	1325	1335	1299	495	40	1140
1200	1325	1335	1299	495	40	1290
1300	1325	1335	1299	495	40	1445
1400	1325	1335	1299	495	40	1600
1500	1325	1335	1299	495	20	1755
1600	1325	1335	1299	495	20	1910
1700	1325	1335	1299	495	20	2060
1800	1325	1335	1299	495	20	2215
1900	1325	1335	1299	495	20	2370
2000	1325	1335	1299	495	20	2525

SSB - Soilmec Soil Buckets

SSB - SP00 (Hardpan Bucket)

BUCKET for fine grained and organic soils like silty or clayey, high/ plasticity clays;

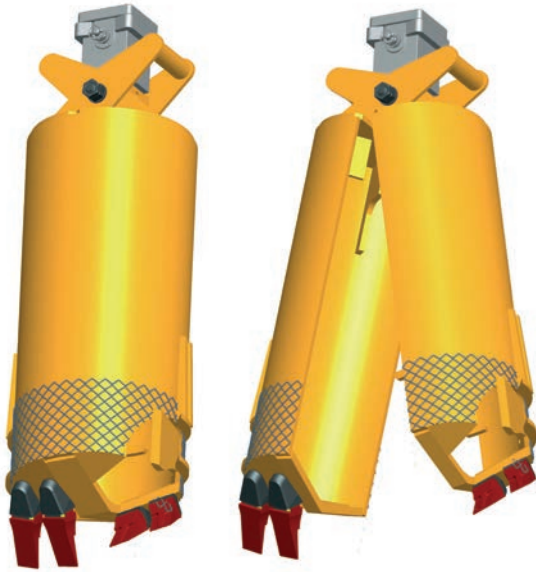
fat clays; peat; muck.

Normally used on small diameters.

USCS soils: MH, CH, OH, Pt.

Teeth: ESCO V18

HF_Body Length: 1200 mm



M type

D [mm]	HU [mm]			Hp [mm]	Approx. weight [kg]
	130x130	150x150	200x200		
400	1670	1680	1644	90	550
500	1670	1680	1644	98	600
600	1670	1680	1644	107	750
700	1670	1680	1644	116	900
800	1690	1700	1664	105	1050

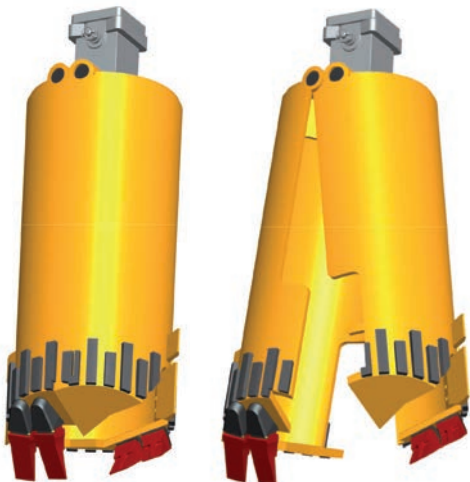
SSB - H01 (Centrifugal Bucket)

Heavy Duty centrifugal BUCKET for fine grained and organic soils like silty or clay, high plasticity clays; fat clays; peat; muck.

USCS soils: MH, CH, OH, Pt.

Teeth: ESCO V18

HF_Body Length: 1200 mm



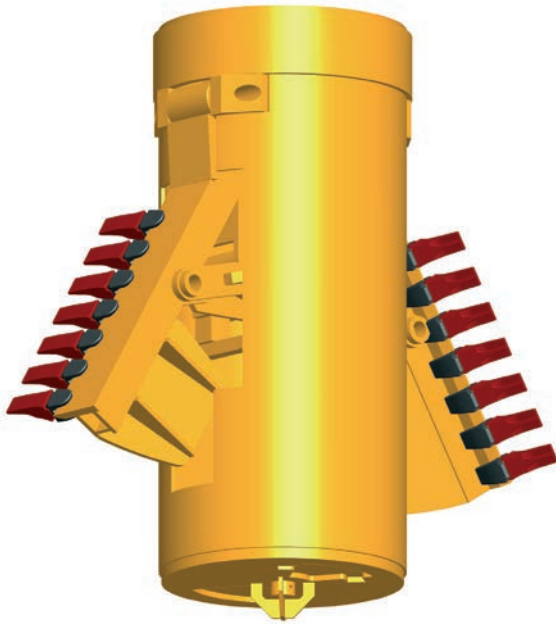
M/D type

D [mm]	HU [mm]			Hp [mm]	Approx. weight [kg]
	130x130	150x150	200x200		
400	1670	1680	1644	90	550
500	1670	1680	1644	98	600
600	1670	1680	1644	107	750
700	1670	1680	1644	116	900
800	1690	1700	1664	105	1050

SSB - Soilmec Soil Buckets

SSB - BB10 (Belling Bucket)

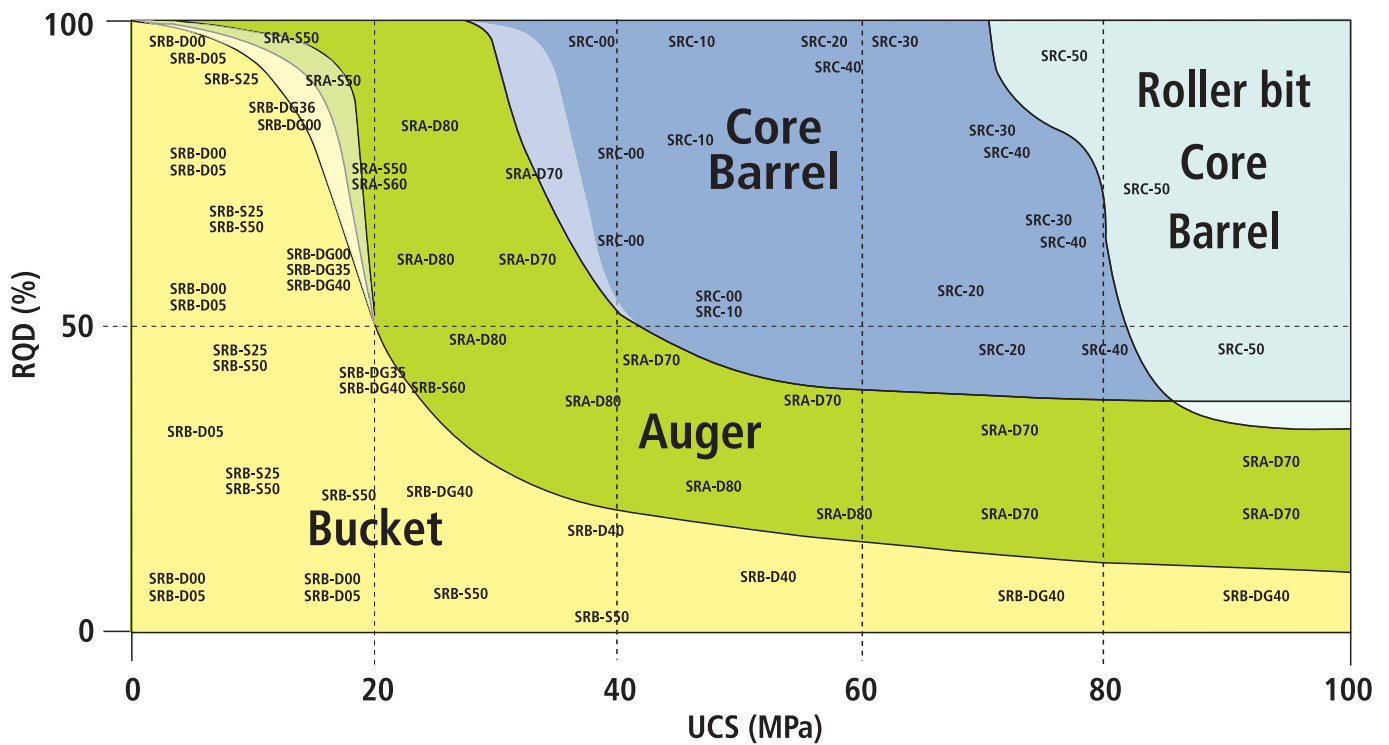
Teeth: ESCO V18
Mx. Bell. Diam.: 2 D (1200 - 3000 mm)



M type

D [mm]	HU [mm]			Hp [mm]	Approx. weight [kg]
	130x130	150x150	200x200		
600	1670	1680	1644	86	690
700	1670	1680	1644	94	1000
800	1670	1680	1644	83	1400
900	1670	1680	1644	92	1600
1000	1670	1680	1644	101	2300
1100	1670	1680	1644	110	2700
1200	1670	1680	1644	118	3150
1300	1670	1680	1644	127	3600
1400	1670	1680	1644	136	4000
1500	1670	1680	1644	125	4500





Rock main properties affecting cutting performance are:

- Uniaxial compressive strength [MPa] and tensile strength [MPa]
- Abrasivity or quartz content
- Structure of the rock (i.e. number and distance and direction of fractures)

Soilmec Drilling Tools are capable to cut rock with a hardness up to 100 MPa strength.

Under certain circumstances (e.g. highly fractured material) even harder material can be cut.



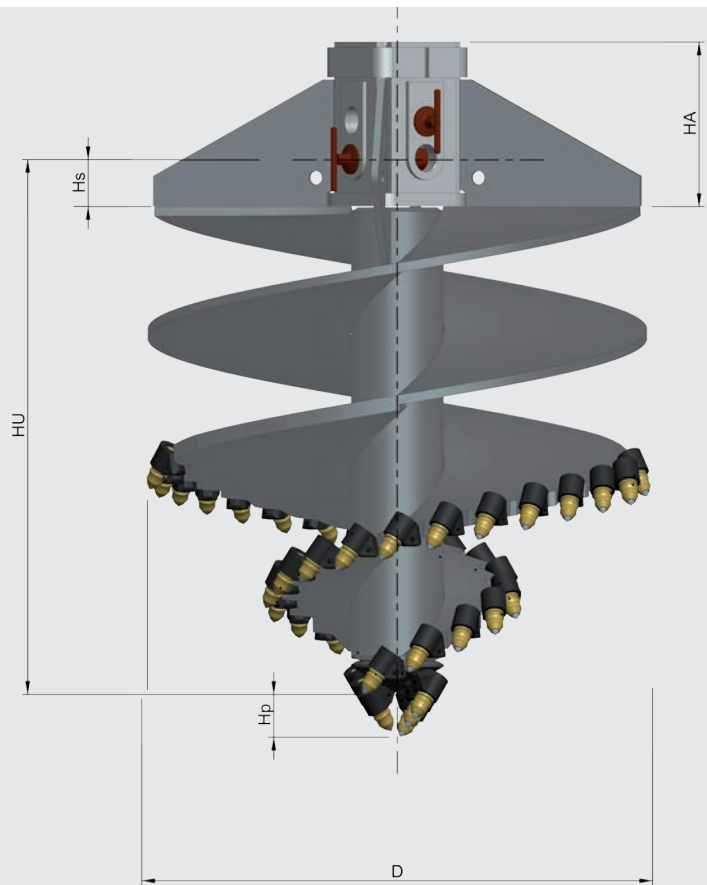
SRA - SOILMEC ROCK AUGERS

Reference scheme for reading the following tables

Kelly box type	130x130	150x150	200x200
HA (mm)	260	300	435
Hs (mm)	150	160	124

The weight shown in the tables refers to tools with kelly box 130 x 130

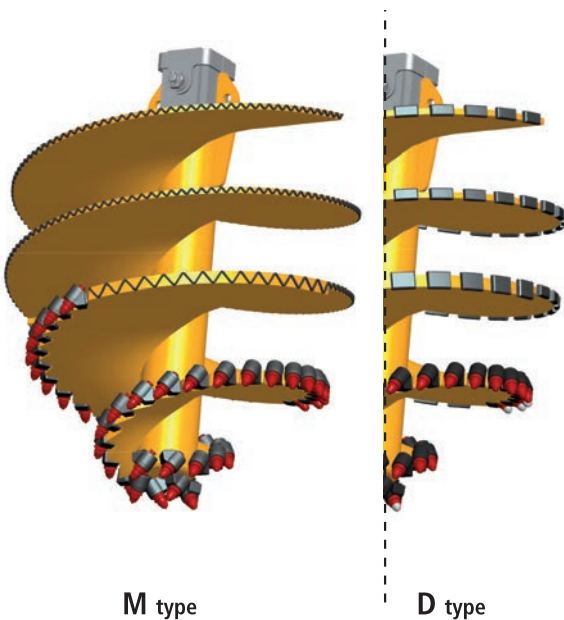
The teeth type to choose must be related to tool diameter



SRA - D40 (Heavy Duty - Double Start Rock Auger)

Heavy Duty double start SRA-D30 auger built-in with 25 mm round shank pick. Generally used for cutting medium-soft rock formations, low fractured medium-hard rock formation and decompressed rock formations.

Teeth: 25 mm Shank



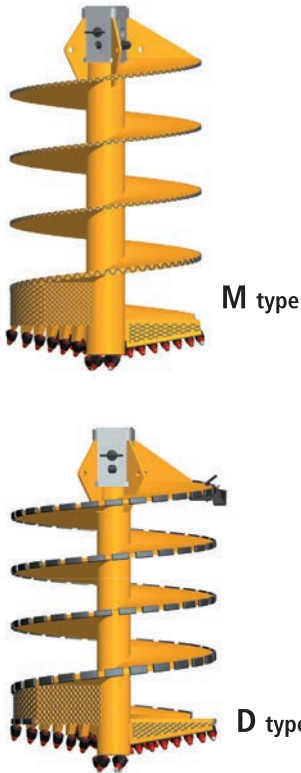
D [mm]	HU [mm]			Hp [mm]	Approx. weight [kg]
	130x130	150x150	200x200		
400	1490	1500	1464	79	255
500	1490	1500	1464	88	285
600	1490	1500	1464	97	385
700	1490	1500	1464	105	435
800	1490	1500	1464	114	570
900	1490	1500	1464	123	660
1000	1490	1500	1464	132	755
1100	1500	1510	1474	141	915
1200	1500	1510	1474	150	1035
1300	1500	1510	1474	158	1165
1400	1500	1510	1474	167	1320
1500	1440	1450	1414	176	1170
1600	1440	1450	1414	185	1310
1700	1440	1450	1414	194	1430
1800	1440	1450	1414	202	1575
1900	1440	1450	1414	211	1725
2000	1440	1450	1414	220	1900
2200	1590	1600	1564	229	2350
2500	1590	1600	1564	238	2680
2800	1590	1600	1564	247	2995
3000	1590	1600	1564	256	3280

SRA - S50

(Heavy Duty - Single Start Rock Auger)

Heavy Duty single start augers built-in with 25 mm round shank pick. Generally used for cutting soft rock formation, low fractured medium-soft rock formation and decompressed rock formations.

Teeth: 25 mm Shank



D [mm]	HU [mm]			Hp [mm]	Approx. weight [kg]
	130x130	150x150	200x200		
400	2280	2290	2254	79	380
500	2280	2290	2254	88	510
600	2080	2090	2054	97	564
700	2010	2020	1984	105	680
800	1930	1940	1904	114	750
900	1930	1940	1904	123	893
1000	1940	1950	1914	132	1033
1100	1924	1934	1898	141	1192
1200	1924	1934	1898	150	1349
1300	1924	1934	1898	158	1561
1400	1924	1934	1898	167	1765
1500	1840	1850	1814	176	2058
1600	1840	1850	1814	185	2310
1700	1840	1850	1814	194	2560
1800	1726	1736	1700	202	2541
1900	1726	1736	1700	211	2783
2000	1726	1736	1700	220	3017

SRA - S60

(Heavy Duty - Single Start Rock Auger)

Heavy Duty single start augers built-in with 30/38 mm round shank pick. Generally used for cutting soft rock formation, medium-soft fractured rock formation and decompressed rock formations.

Teeth: 30/38 mm Shank

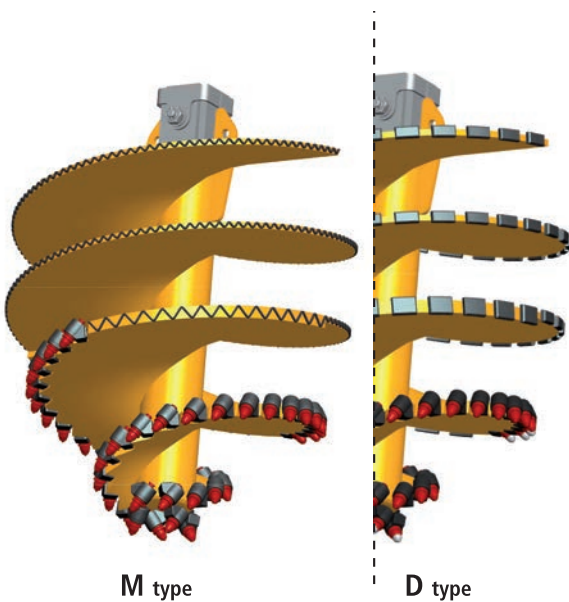
D [mm]	HU [mm]			Hp [mm]	Approx. weight [kg]
	130x130	150x150	200x200		
400	2280	2290	2254	79	380
500	2280	2290	2254	88	510
600	2080	2090	2054	97	564
700	2010	2020	1984	105	680
800	1930	1940	1904	114	750
900	1930	1940	1904	123	893
1000	1940	1950	1914	132	1033
1100	1924	1934	1898	141	1192
1200	1924	1934	1898	150	1349
1300	1924	1934	1898	158	1561
1400	1924	1934	1898	167	1765
1500	1840	1850	1814	176	2058
1600	1840	1850	1814	185	2310
1700	1840	1850	1814	194	2560
1800	1726	1736	1700	202	2541
1900	1726	1736	1700	211	2783
2000	1726	1736	1700	220	3017

SRA - D70

(Heavy Duty - Double Start Rock Auger)

Heavy Duty double start SRA-D70 auger built-in with 30/38 mm round shank pick. Generally used for cutting medium-soft rock formations, high fractured medium-hard rock formation and decompressed rock formations.

Teeth: 30/38 mm Shank



D [mm]	HU [mm]			Hp [mm]	Approx. weight [kg]
	130x130	150x150	200x200		
400	1490	1500	1464	142	455
500	1490	1500	1464	142	485
600	1490	1500	1464	142	585
700	1490	1500	1464	142	635
800	1490	1500	1464	142	770
900	1490	1500	1464	142	860
1000	1490	1500	1464	142	955
1100	1500	1510	1474	142	1115
1200	1500	1510	1474	142	1235
1300	1500	1510	1474	142	1565
1400	1500	1510	1474	142	1520
1500	1440	1450	1414	142	1370
1600	1440	1450	1414	142	1510
1700	1440	1450	1414	142	1630
1800	1440	1450	1414	142	1775
1900	1440	1450	1414	142	1925
2000	1440	1450	1414	142	2100
2200	1590	1600	1564	142	2550
2500	1590	1600	1564	142	2880
2800	1590	1600	1564	142	3115
3000	1590	1600	1564	142	3480

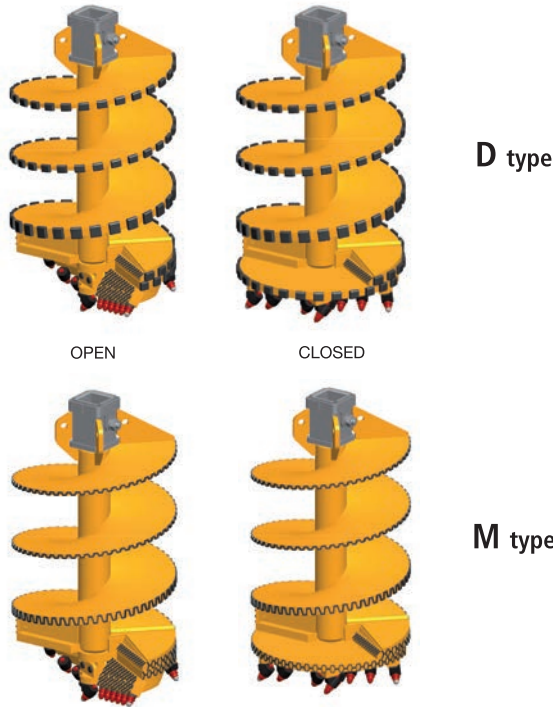
SRA - SOILMEC ROCK AUGERS

SRA - S90

(Heavy Duty - Guillotine Single Start Rock Auger)

Single start Heavy Duty rock AUGER with revolving bottom. Mainly used for well cemented conglomerates soils, agglomerates, medium-soft fractured rock formation and decompressed rocks. Revolving bottom solution increase auger capacity to extract drilled material.

Teeth: 30/38 mm Shank



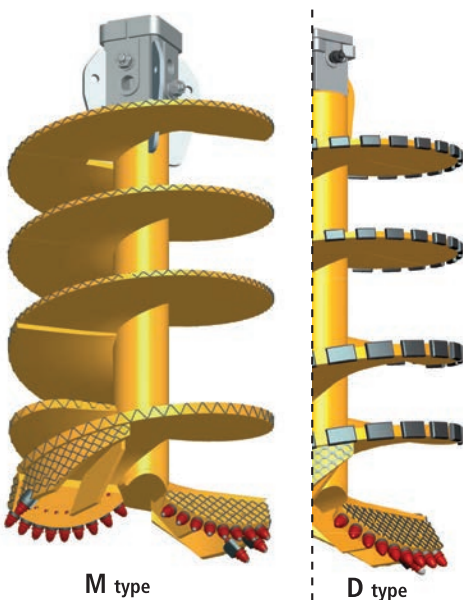
D [mm]	HU [mm]			Hp [mm]	Approx. weight [kg]
	130x130	150x150	200x200		
400	1430	1440	1404	79	580
500	1430	1440	1404	88	710
600	1605	1515	1579	97	764
700	1605	1515	1579	105	880
800	1580	1590	1554	114	950
900	1580	1590	1554	123	1093
1000	1600	1610	1574	132	1233
1100	1525	1535	1499	141	1392
1200	1525	1535	1499	150	1549
1300	1525	1535	1499	158	1761
1400	1525	1535	1499	167	1965
1500	1650	1660	1624	176	2258
1600	1650	1660	1624	185	2510
1700	1650	1660	1624	194	2760
1800	1500	1510	1474	202	2741
1900	1500	1510	1474	211	2983
2000	1500	1510	1474	220	3217

SRA - D80

(Heavy Duty - Double Start Rock Auger)

Heavy Duty double start SRA-D80 auger built-in with 30/38 mm round shank picks. Generally used for cutting fractured medium-hard rock formation combined with fines and coarse soil formation.

Teeth: 30/38 mm Shank



D [mm]	HU [mm]			Hp [mm]	Approx. weight [kg]
	130x130	150x150	200x200		
400	2150	2160	2124	142	615
500	2150	2160	2124	142	785
600	2100	2110	2074	142	885
700	2100	2110	2074	142	935
800	2120	2130	2094	142	1070
900	2120	2130	2094	142	1160
1000	2120	2130	2094	142	1255
1100	2090	2100	2064	142	1415
1200	2090	2100	2064	142	1535
1300	2090	2100	2064	142	1665
1400	2090	2100	2064	142	1820
1500	2100	2110	2074	142	1670
1600	2100	2110	2074	142	1810
1700	2100	2110	2074	142	1930
1800	2100	2110	2074	142	2075
1900	2100	2110	2074	142	2225
2000	2100	2110	2074	142	2400

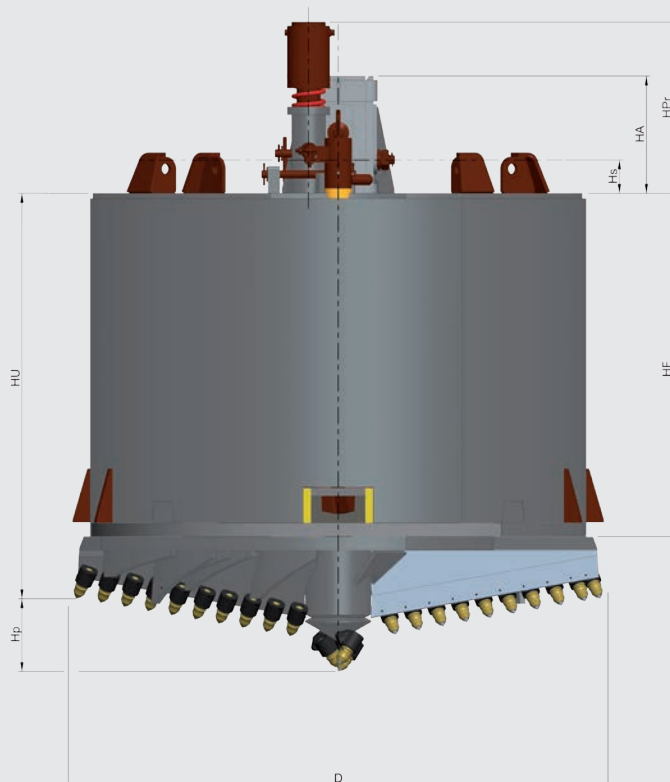
SRB - SOILMEC ROCK BUCKETS

Reference scheme for reading the following tables

Kelly box type	130x130	150x150	200x200
HA (mm)	260	300	435
Hs (mm)	150	160	124

The weight shown in the tables refers to tools with kelly box 130 x 130

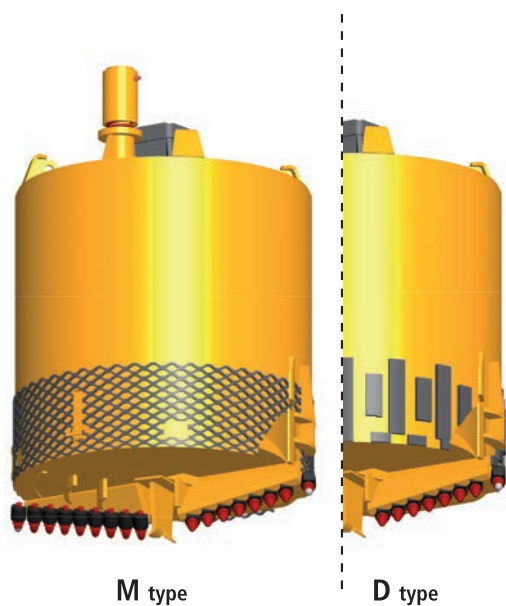
The teeth type to choose must be related to tool diameter



SRB - D00 (Heavy Duty - Double Blade Rock Bucket)

Double blade Heavy Duty SRB-D05 Bucket. Used for cutting soft to medium-hard fractured rock formation combined with low fines and coarse soil; decompressed rock formations.

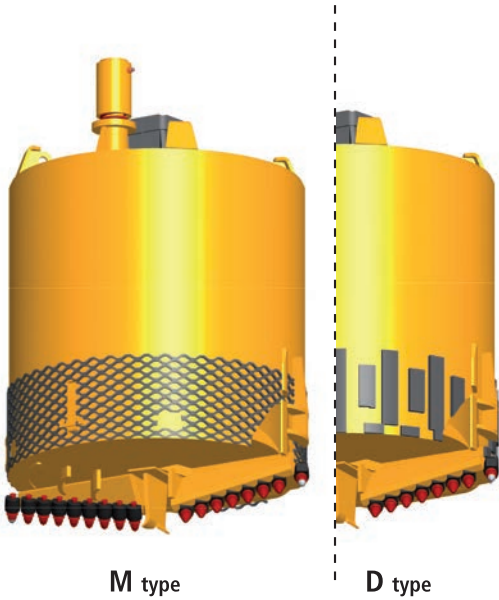
Teeth: 25 mm Shank
HF_Body Length: 1000 mm



D [mm]	HU [mm]			HPr [mm]	Hp [mm]	Approx. weight [kg]
	130x130	150x150	200x200			
400	1355	1365	1329	370	70	355
500	1355	1365	1329	370	79	380
600	1355	1365	1329	370	87	424
700	1355	1365	1329	370	96	494
800	1355	1365	1329	370	105	645
900	1355	1365	1329	370	114	714
1000	1355	1365	1329	495	123	842
1100	1355	1365	1329	495	131	875
1200	1355	1365	1329	495	140	1064
1300	1355	1365	1329	495	149	1176
1400	1355	1365	1329	495	158	1291
1500	1355	1365	1329	495	167	1436
1600	1355	1365	1329	495	175	1554
1700	1355	1365	1329	495	184	1669
1800	1355	1365	1329	495	193	2091
1900	1355	1365	1329	495	202	2295
2000	1355	1365	1329	495	211	2458

SRB - SOILMEC ROCK BUCKETS

SRB - D05 (Heavy Duty - Double Blade Rock Bucket)

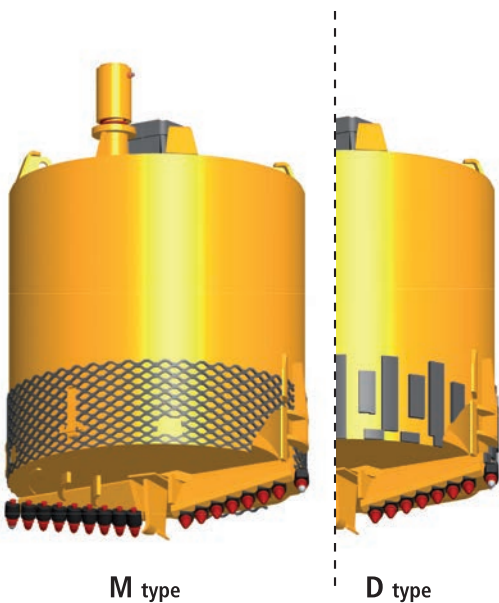


Double blade Heavy Duty SRB-D05 Bucket. Used for cutting soft to medium-hard fractured rock formation combined with low fines and coarse soil; decompressed rock formations.

Teeth: 25 mm Shank
HF_Body Length: 1200 mm

D [mm]	HU [mm]			HPr [mm]	Hp [mm]	Approx. weight [kg]
	130x130	150x150	200x200			
400	1565	1575	1539	370	70	340
500	1565	1575	1539	370	79	375
600	1565	1575	1539	370	87	410
700	1565	1575	1539	370	96	565
800	1565	1575	1539	370	105	740
900	1565	1575	1539	370	114	910
1000	1565	1575	1539	495	123	1085
1100	1565	1575	1539	495	131	1270
1200	1565	1575	1539	495	140	1450
1300	1565	1575	1539	495	149	1665
1400	1565	1575	1539	495	158	1885
1500	1565	1575	1539	495	167	2090
1600	1565	1575	1539	495	175	2290
1700	1565	1575	1539	495	184	2485
1800	1565	1575	1539	495	193	2680
1900	1565	1575	1539	495	202	2875
2000	1565	1575	1539	495	211	3075

SRB - D06 (Heavy Duty - Double Blade Rock Bucket)

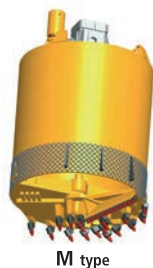


Double blade Heavy Duty SRB-D05 Bucket. Used for cutting soft to medium-hard fractured rock formation combined with low fines and coarse soil; decompressed rock formations.

Teeth: 30-38 mm Shank
HF_Body Length: 1200 mm

D [mm]	HU [mm]			HPr [mm]	Hp [mm]	Approx. weight [kg]
	130x130	150x150	200x200			
400	1565	1575	1539	370	70	340
500	1565	1575	1539	370	79	375
600	1565	1575	1539	370	87	410
700	1565	1575	1539	370	96	565
800	1565	1575	1539	370	105	740
900	1565	1575	1539	370	114	910
1000	1565	1575	1539	495	123	1085
1100	1565	1575	1539	495	131	1270
1200	1565	1575	1539	495	140	1450
1300	1565	1575	1539	495	149	1665
1400	1565	1575	1539	495	158	1885
1500	1565	1575	1539	495	167	2090
1600	1565	1575	1539	495	175	2290
1700	1565	1575	1539	495	184	2485
1800	1565	1575	1539	495	193	2680
1900	1565	1575	1539	495	202	2875
2000	1565	1575	1539	495	211	3075

SRB - SOILMEC ROCK BUCKETS



M type

SRB - S25 (Heavy Duty - Single Blade Rock Bucket)

Single blade Heavy Duty SRB-S25 Bucket. Used for cutting soft and medium-soft fractured rock formations; decompressed rock formations.

Teeth: 25 mm Shank
HF_Body Length: 1200 mm



D type

SRB - S50 (Heavy Duty - Guillotine Single Blade Rock Bucket)

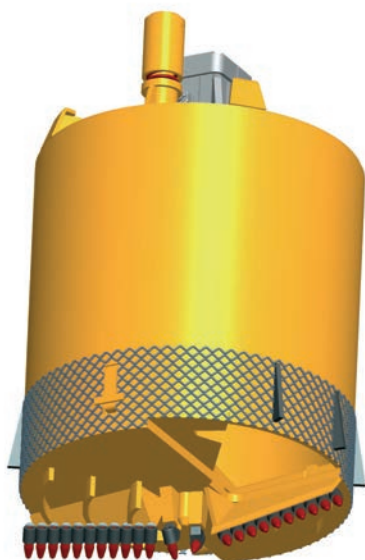
Single blade Heavy Duty SRB-S50 Bucket. Used for cutting medium-soft and medium-hard fractured rock formations; decompressed rock formations.

Teeth: 30-38 mm Shank
HF_Body Length: 1200 mm

D [mm]	HU [mm]			HPr [mm]	Hp [mm]	Approx. weight [kg]
	130x130	150x150	200x200			
400	1610	1620	1584	370	70	475
500	1610	1620	1584	370	79	505
600	1610	1620	1584	370	87	565
700	1610	1620	1584	370	96	750
800	1610	1620	1584	370	105	930
900	1610	1620	1584	370	114	1110
1000	1610	1620	1584	495	123	1295
1100	1610	1620	1584	495	131	1480
1200	1610	1620	1584	495	140	1665
1300	1610	1620	1584	495	149	1875
1400	1610	1620	1584	495	158	2090
1500	1610	1620	1584	495	167	2305
1600	1610	1620	1584	495	175	2505
1700	1610	1620	1584	495	184	2700
1800	1610	1620	1584	495	193	2900
1900	1610	1620	1584	495	202	3100
2000	1610	1620	1584	495	211	3295

D [mm]	HU [mm]			HPr [mm]	Hp [mm]	Approx. weight [kg]
	130x130	150x150	200x200			
400	1610	1620	1584	370	68	475
500	1610	1620	1584	370	77	505
600	1610	1620	1584	370	86	565
700	1610	1620	1584	370	94	750
800	1610	1620	1584	370	103	930
900	1610	1620	1584	370	112	1110
1000	1610	1620	1584	495	121	1295
1100	1610	1620	1584	495	130	1480
1200	1610	1620	1584	495	138	1665
1300	1610	1620	1584	495	147	1875
1400	1610	1620	1584	495	156	2090
1500	1610	1620	1584	495	165	2305
1600	1610	1620	1584	495	174	2505
1700	1610	1620	1584	495	183	2700
1800	1610	1620	1584	495	191	2900
1900	1610	1620	1584	495	200	3100
2000	1610	1620	1584	495	209	3295

SRB - DG00 (Heavy Duty - Guillotine Double Blade Rock Auger)



Double blade Heavy Duty SRB-D35 Bucket. Used for cutting medium-soft low fractured rock formation combined with coarse soil; highly fractures hard rock formation and decompressed rock formations.

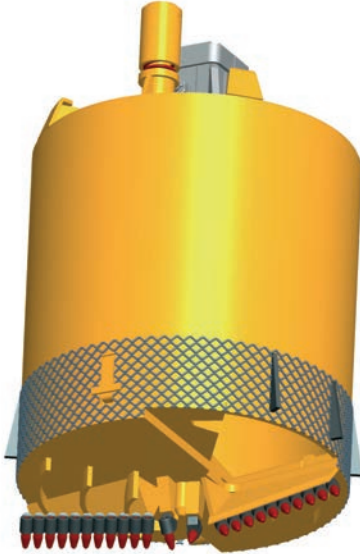
Teeth: 25 mm Shank
HF_Body Length: 1000 mm

D [mm]	HU [mm]			HPr [mm]	Hp [mm]	Approx. weight [kg]
	130x130	150x150	200x200			
400	1395	1405	1369	370	60	380
500	1395	1405	1369	370	60	410
600	1395	1405	1369	370	60	450
700	1395	1405	1369	370	60	531
800	1395	1405	1369	370	40	696
900	1395	1405	1369	370	40	782
1000	1395	1405	1369	495	40	924
1100	1395	1405	1369	495	40	958
1200	1395	1405	1369	495	40	1188
1300	1395	1405	1369	495	40	13515
1400	1395	1405	1369	495	40	1443
1500	1395	1405	1369	495	20	1620
1600	1395	1405	1369	495	20	1760
1700	1395	1405	1369	495	20	1904
1800	1395	1405	1369	495	20	2351
1900	1395	1405	1369	495	20	2595
2000	1395	1405	1369	495	20	2786

SRB - SOILMEC ROCK BUCKETS

SRB - DG35

(Heavy Duty - Guillotine Double Blade Rock Bucket)



Double blade Heavy Duty SRB-D35 Bucket. Used for cutting medium-soft low fractured rock formation combined with coarse soil; highly fractures hard rock formation and decompressed rock formations.

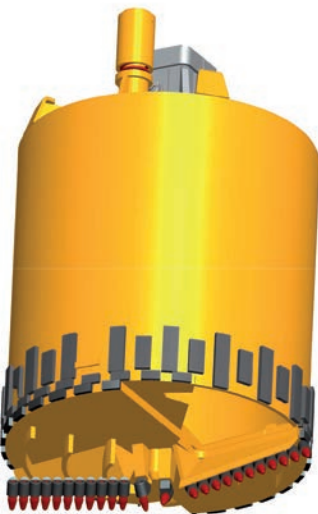
Teeth: 25 mm Shank

HF_Body Length: 1200 mm

D [mm]	HU [mm]			HPr [mm]	Hp [mm]	Approx. weight [kg]
	130x130	150x150	200x200			
400	1610	1620	1584	370	70	515
500	1610	1620	1584	370	79	570
600	1610	1620	1584	370	87	610
700	1610	1620	1584	370	96	765
800	1610	1620	1584	370	105	940
900	1610	1620	1584	370	114	1110
1000	1610	1620	1584	495	123	1285
1100	1610	1620	1584	495	131	1470
1200	1610	1620	1584	495	140	1650
1300	1610	1620	1584	495	149	1865
1400	1610	1620	1584	495	158	2085
1500	1610	1620	1584	495	167	2290
1600	1610	1620	1584	495	175	2490
1700	1610	1620	1584	495	184	2685
1800	1610	1620	1584	495	193	2880
1900	1610	1620	1584	495	202	3075
2000	1610	1620	1584	495	211	3275

SRB - DG40

(Heavy Duty - Guillotine Double Blade Rock Bucket)



Double blade Heavy Duty SRB-D40 Bucket. Used for cutting medium-hard fractured rock formation combined with coarse soil; highly fractures hard rock formation and decompressed rock formations.

Teeth: 30/38 mm Shank

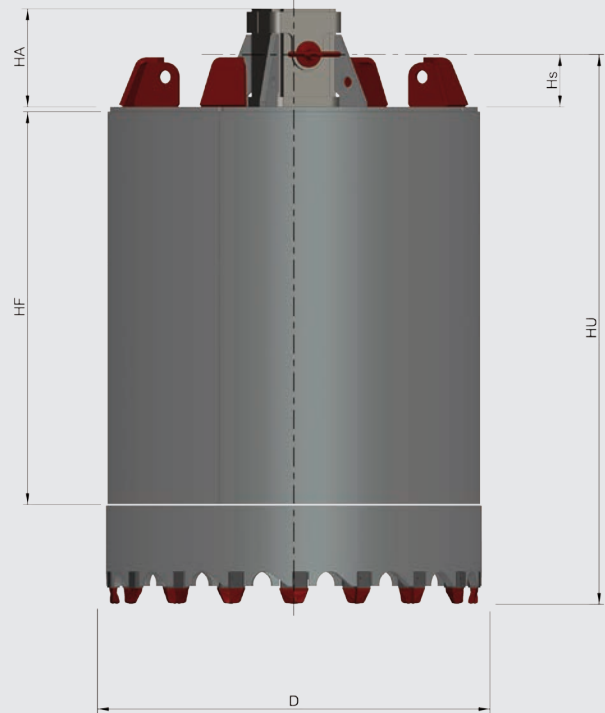
HF_Body Length: 1200 mm

D [mm]	HU [mm]			HPr [mm]	Hp [mm]	Approx. weight [kg]
	130x130	150x150	200x200			
400	1610	1620	1584	370	68	515
500	1610	1620	1584	370	77	570
600	1610	1620	1584	370	86	610
700	1610	1620	1584	370	94	765
800	1610	1620	1584	370	103	940
900	1610	1620	1584	370	112	1110
1000	1610	1620	1584	495	121	1285
1100	1610	1620	1584	495	130	1470
1200	1610	1620	1584	495	138	1650
1300	1610	1620	1584	495	147	1865
1400	1610	1620	1584	495	156	2085
1500	1610	1620	1584	495	165	2290
1600	1610	1620	1584	495	174	2490
1700	1610	1620	1584	495	183	2685
1800	1610	1620	1584	495	191	2880
1900	1610	1620	1584	495	200	3075
2000	1610	1620	1584	495	209	3275

SRB - SOILMEC ROCK CORE BARREL

Reference scheme for reading the following tables

Kelly box type	130x130	150x150	200x200
HA (mm)	260	300	435
Hs (mm)	150	160	124

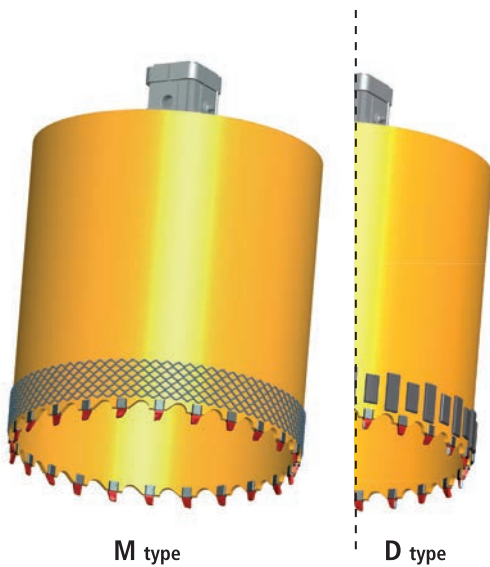


The weight shown in the tables refers to tools with kelly box 130 x 130

The teeth type to choose must be related to tool diameter

SRC - 00 (Heavy Duty - Core Barrel)

Heavy Duty SRC-00 Core barrel are built-in with radial tools. Generally used to cut low fractured medium hard rock formation and partially fragmented medium hard rock formations.
HF_Body Length: 1200 mm
Teeth: Radial tools

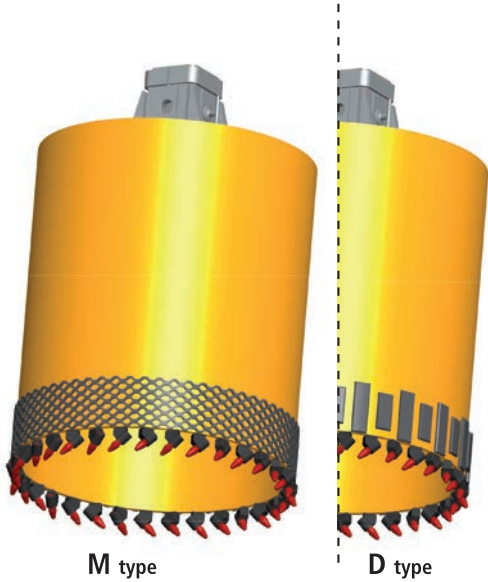


D [mm]	HU [mm]			Approx. weight [kg]
	130x130	150x150	200x200	
400	1670	1680	1644	380
500	1670	1680	1644	405
600	1670	1680	1644	475
700	1670	1680	1644	560
800	1670	1680	1644	650
900	1670	1680	1644	730
1000	1670	1680	1644	815
1100	1670	1680	1644	895
1200	1670	1680	1644	980
1300	1670	1680	1644	1060
1400	1670	1680	1644	1140
1500	1670	1680	1644	1220
1600	1670	1680	1644	1300
1700	1670	1680	1644	1380
1800	1670	1680	1644	1465
1900	1670	1680	1644	1545
2000	1670	1680	1644	1760

SRB - SOILMEC ROCK CORE BARREL

SRC - 15 (Heavy Duty - Core Barrel)

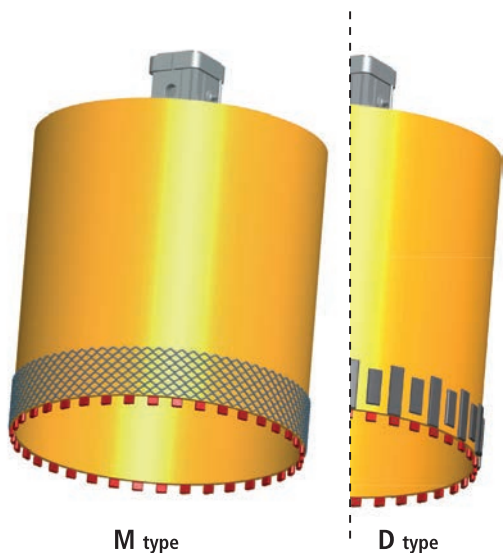
Heavy Duty SRC-00 Core barrel are built-in with radial tools. Generally used to cut low fractured medium hard rock formation and partially fragmented medium hard rock formations.
HF_Body Length: 1200 mm
Teeth: 25 mm Shank



D [mm]	HU [mm]			Approx. weight [kg]
	130x130	150x150	200x200	
400	1718	1728	1692	405
500	1718	1728	1692	475
600	1718	1728	1692	505
700	1718	1728	1692	590
800	1718	1728	1692	680
900	1718	1728	1692	760
1000	1718	1728	1692	865
1100	1718	1728	1692	945
1200	1718	1728	1692	1030
1300	1718	1728	1692	1110
1400	1718	1728	1692	1190
1500	1718	1728	1692	1280
1600	1718	1728	1692	1360
1700	1718	1728	1692	1450
1800	1718	1728	1692	1515
1900	1718	1728	1692	1615
2000	1718	1728	1692	1830

SRC - 20 (Heavy Duty - Core Barrel)

Heavy Duty SRC-20 Core barrel fitted with welding bars tooth. Generally used to cut low fractured medium and medium hard rock formation up to 80 MPa.
HF_Body Length: 1200 mm
Teeth: welding bars



D [mm]	HU [mm]			Approx. weight [kg]
	130x130	150x150	200x200	
400	1648	1658	1622	370
500	1648	1658	1622	395
600	1648	1658	1622	465
700	1648	1658	1622	550
800	1648	1658	1622	640
900	1648	1658	1622	720
1000	1648	1658	1622	805
1100	1648	1658	1622	885
1200	1648	1658	1622	970
1300	1648	1658	1622	1050
1400	1648	1658	1622	1130
1500	1648	1658	1622	1210
1600	1648	1658	1622	1290
1700	1648	1658	1622	1370
1800	1648	1658	1622	1455
1900	1648	1658	1622	1535
2000	1648	1658	1622	1750

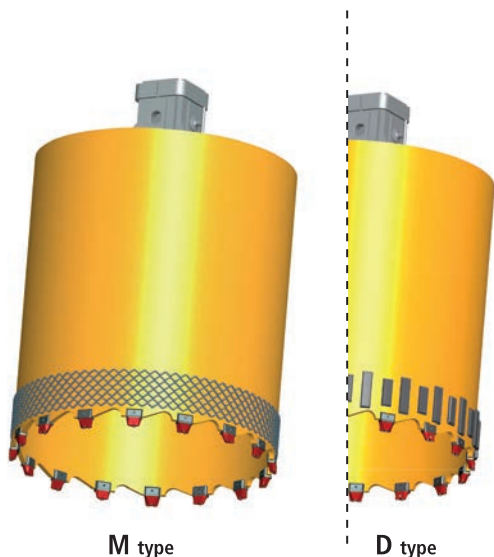
SRB - SOILMEC ROCK CORE BARREL

SRC - 30 (Heavy Duty - Core Barrel)

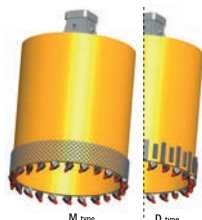
Heavy Duty SRC-30 Core barrel fitted with quick change bars tooth. Generally used to cut low fractured medium hard rock formation.

HF_Body Length: 1200 mm

Teeth: Quick change bars



D [mm]	HU [mm]			Approx. weight [kg]
	130x130	150x150	200x200	
400	1669	1679	1643	380
500	1669	1679	1643	405
600	1669	1679	1643	475
700	1669	1679	1643	560
800	1669	1679	1643	650
900	1669	1679	1643	730
1000	1669	1679	1643	815
1100	1669	1679	1643	895
1200	1669	1679	1643	980
1300	1669	1679	1643	1060
1400	1669	1679	1643	1140
1500	1669	1679	1643	1220
1600	1669	1679	1643	1300
1700	1669	1679	1643	1380
1800	1669	1679	1643	1465
1900	1669	1679	1643	1545
2000	1669	1679	1643	1760



SRC - 40 (Heavy Duty - Core Barrel)

Heavy Duty SRC-40 Core barrel fitted with 30/38 mm round shank chisels tooth. Generally used to cut low fractured medium hard rock to fractured hard rock formation up to 80 MPa.

HF_Body Length: 1200 mm



SRC - 50 (Heavy Duty - Core Barrel)

Heavy Duty SRC-50 Core barrel fitted with roller bits. Generally used to cut low fractured medium hard rock to fractured hard rock formation up to 80 MPa.

HF_Body Length: 1200 mm

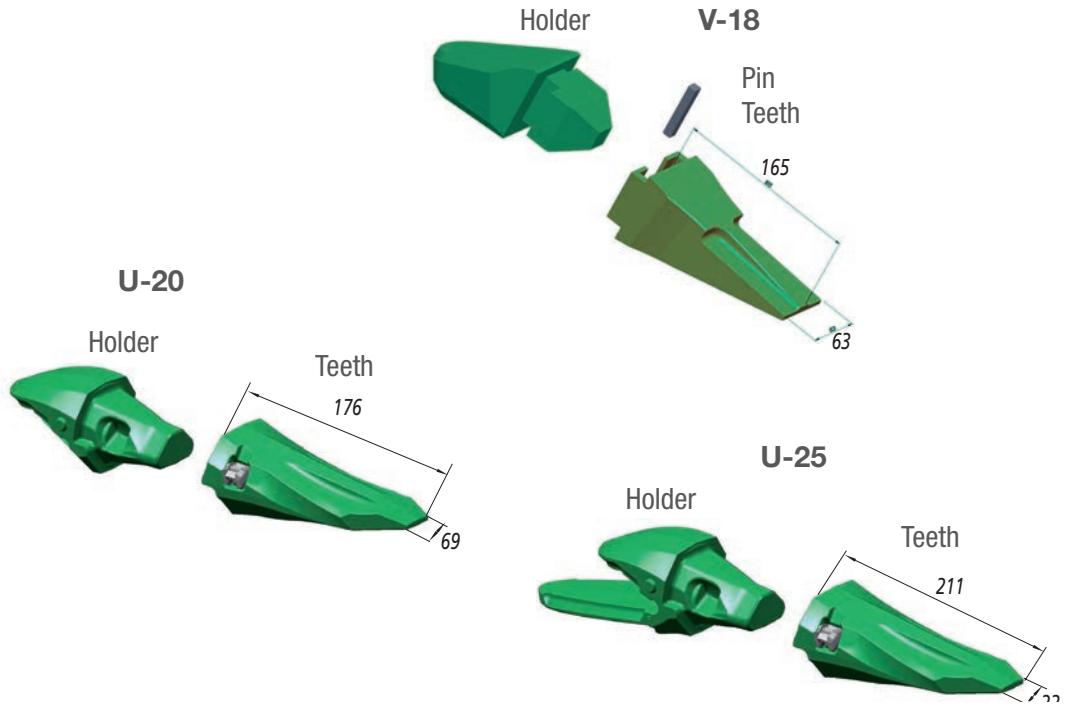
D [mm]	HU [mm]			Approx. weight [kg]
	130x130	150x150	200x200	
400	1737	1747	1711	580
500	1737	1747	1711	605
600	1737	1747	1711	665
700	1737	1747	1711	750
800	1737	1747	1711	840
900	1737	1747	1711	920
1000	1737	1747	1711	1025
1100	1737	1747	1711	1105
1200	1737	1747	1711	1190
1300	1737	1747	1711	1270
1400	1737	1747	1711	1350
1500	1737	1747	1711	1440
1600	1737	1747	1711	1520
1700	1737	1747	1711	1610
1800	1737	1747	1711	1675
1900	1737	1747	1711	1775
2000	1737	1747	1711	1930

D [mm]	HU [mm]			Approx. weight [kg]
	130x130	150x150	200x200	
800	1865	1875	1839	940
900	1865	1875	1839	1030
1000	1865	1875	1839	1150
1100	1865	1875	1839	1240
1200	1865	1875	1839	1345
1300	1865	1875	1839	1435
1400	1865	1875	1839	1520
1500	1865	1875	1839	1640
1600	1865	1875	1839	1720
1700	1865	1875	1839	1820
1800	1865	1875	1839	1900
1900	1865	1875	1839	2010
2000	1865	1875	1839	2180

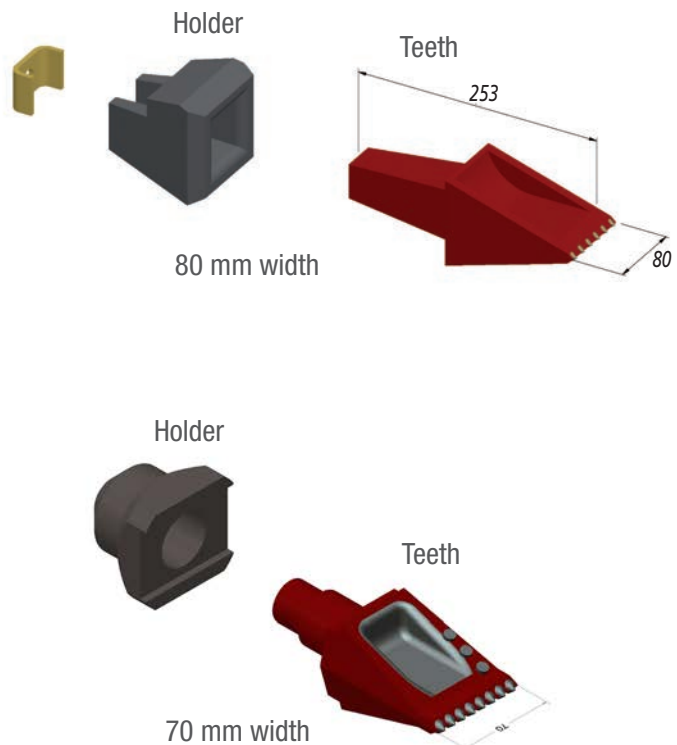


CONSUMABLES, KELLY BOX & SPARE PARTS

ESCO Teeth

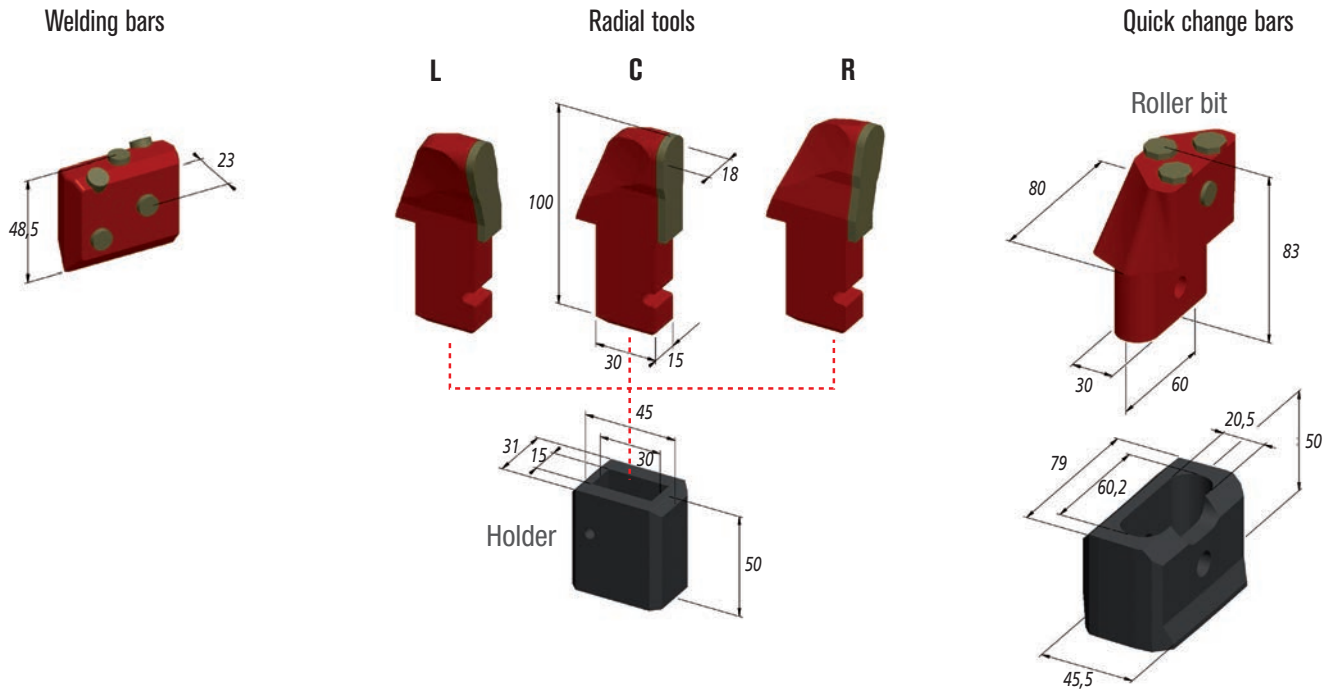


Flat Pick Teeth

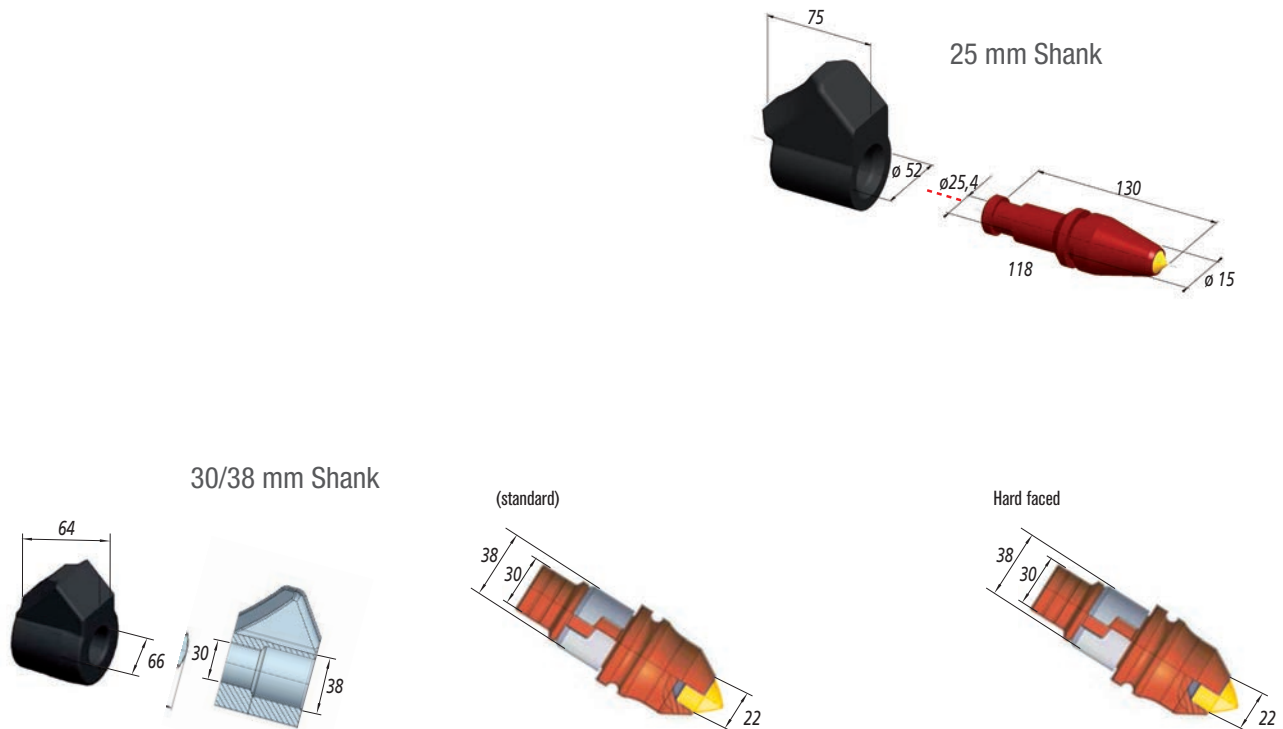


CONSUMABLES, KELLY BOX & SPARE PARTS

Core Barrel Teeth



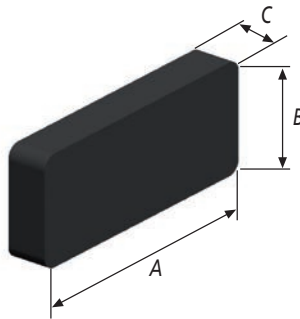
Round Shank Picks



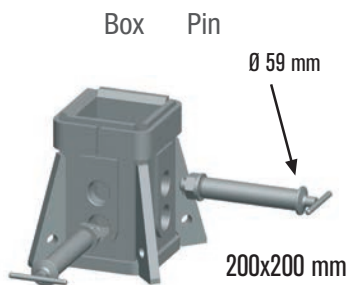
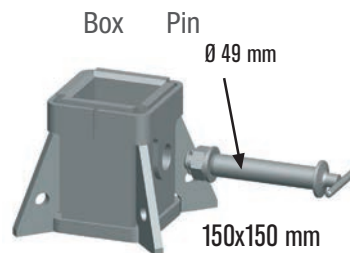
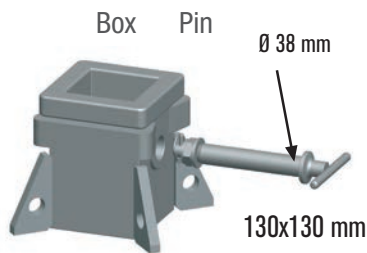
Wear Protection

with additional wearing protection

A	B	C
50	30	8
70	40	8
150	40	8
250	40	8



Kelly box & kelly box adapter



Fm x MI.
130x150 Adaptor
130x200 Adaptor
150x130 Adaptor
150x200 Adaptor
200x130 Adaptor
200x150 Adaptor

Fm = Female size in mm.
MI = Male size in mm.



This brochure has been edited and distributed by SOILMEC Spa. The present document cancels and override any previous ones. This brochure shall not be distributed, reproduced or exhibited without SOILMEC Spa. authorization in accordance with to SOILMEC web site disclaimer condition.

SOILMEC Spa distributes machinery and structures all over the world, supported by SOILMEC Spa subsidiary companies and dealers. The complete Soilmec network list is available on the web site www.soilmec.it