



AQUARIUS ENGINEERS PVT. LTD.

Concrete Pumps, Batching Plants, Boom Pumps



CONCRETE BOOM PUMPS



Salient Features:

Slave Engine Design

- ▶ Fuel efficient, reduces per cubic meter cost
- ▶ Reduced erection & commissioning time
- ▶ Reduced installation expenses
- ▶ Enhanced service life of prime mover
- ▶ Enhanced power transmission efficiency due to direct drive

Remote Control

- ▶ State-of-art handy & lightweight cable remote control
- ▶ Unit with all the pump & boom functions in-built
- ▶ Wireless control – optional

Centralised Oil Lubrication System

- ▶ For selected points & also easy access, manual grease lubrication system to all points

Boom Material

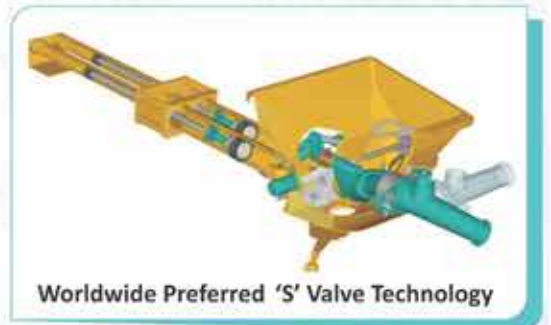
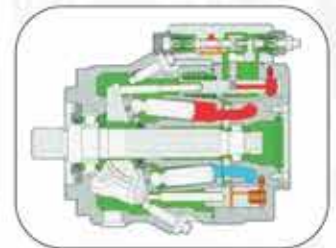
- ▶ Boom made of high strength alloy steel gives maximum strength & performance and minimum weight of the structure

Modular Type Boom Control Block

- ▶ Occupies less space & is adaptable to proportional boom movement
- ▶ Two-hand operation control of outriggers ensures safety in operation

Fully Hydraulic Open Loop Control System

- ▶ The pump regulator protects the hydraulic system from overheating & engine from overloading
- ▶ The regulator also helps in output regulation & improved fuel efficiency



Worldwide Preferred 'S' Valve Technology

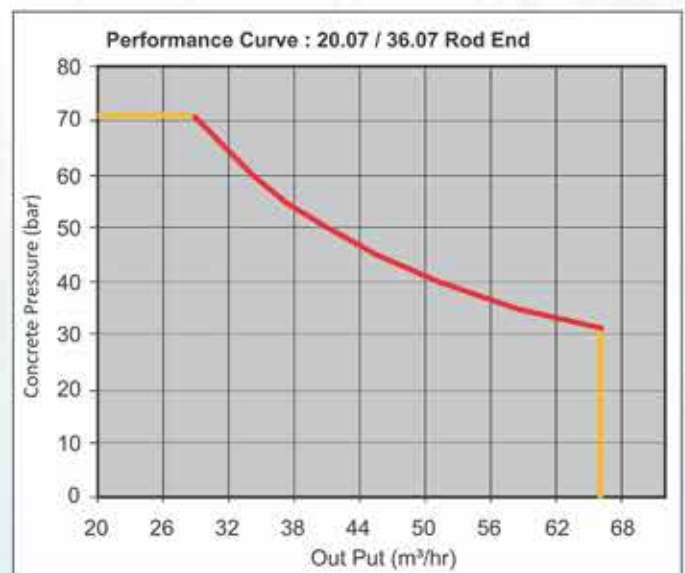
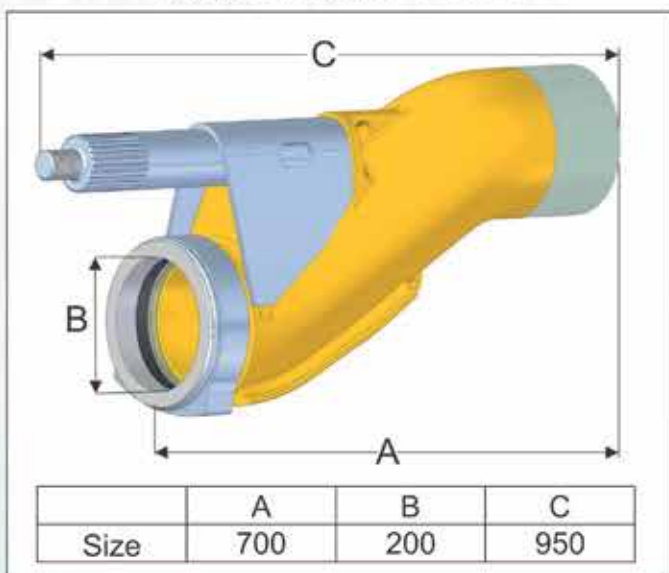


Technical Specifications:

| BOOM | | | | |
|-----------------------------|------|-------|-------|-------|
| Model Specifications | Unit | 20.07 | 36.07 | 36.09 |
| Arms | no. | 3 | 4 | 4 |
| Boom Folding | | Z | Z | Z |
| Chassis Allowable GVW | kg | 16000 | 25000 | 25000 |
| Horizontal Reach (max.) | m | 16.4 | 31.5 | 31.5 |
| Vertical Reach (max.) | m | 20 | 35.5 | 35.5 |
| Reach Depth | m | 9.5 | 23.4 | 23.4 |
| Unfolding Height | m | 5.5 | 8.1 | 8.1 |
| Slewing Range | deg | 365 | 370 | 370 |
| Delivery Line Diameter | mm | 125 | 125 | 125 |
| Length of End Hose (DN 125) | m | 3 | 3 | 3 |
| Max. Hydraulic Pressure | bar | 300 | 300 | 300 |
| Electrical System | V | 24 | 24 | 24 |
| Power Drive Slave Engine | kW | 82 | 82 | 82 |

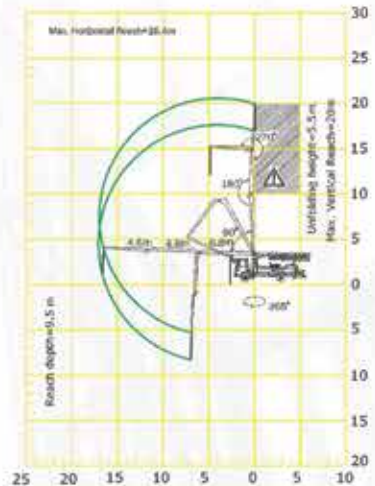
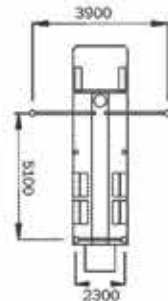
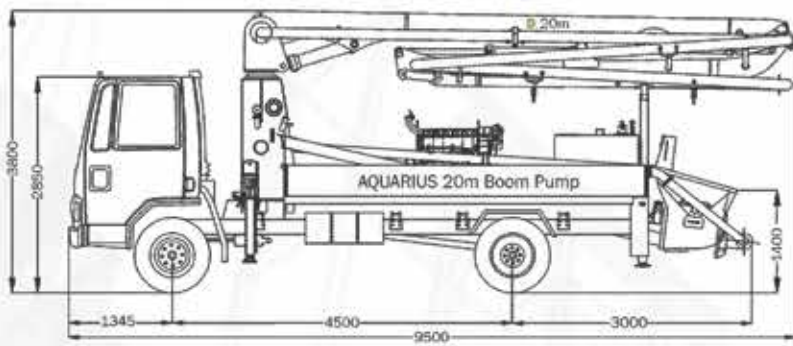
| CONCRETE PUMP | | | | |
|---|--------------------|-------|-------|-------|
| Model Specifications | Unit | 20.07 | 36.07 | 36.09 |
| Concrete Output Max. Theoretical | m ³ /hr | 65 | 65 | 85 |
| Concrete Pressure Max. Theoretical | bar | 71 | 71 | 54 |
| No. of Strokes/min | no. | 25 | 25 | 25 |
| Delivery Cylinder Diameter | mm | 200 | 200 | 230 |
| Piston Stroke Length | mm | 1400 | 1400 | 1400 |
| Hydraulic Transmission Ratio (Rod Side) | | 1:4.9 | 1:4.9 | 1:6.5 |
| Easy Clean Hopper Capacity | l | 600 | 600 | 600 |
| Water Tank Capacity | l | 420 | 205 | 205 |

Largest & Longest 'S' Valve

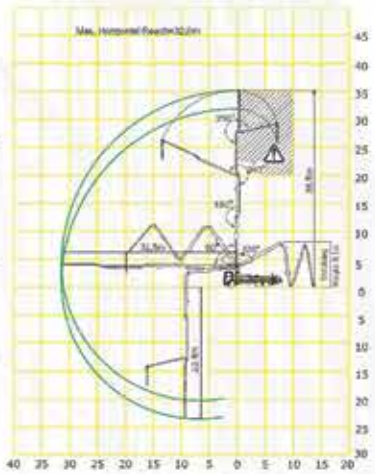
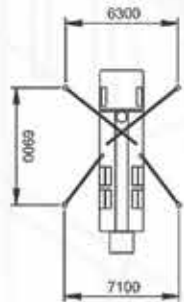
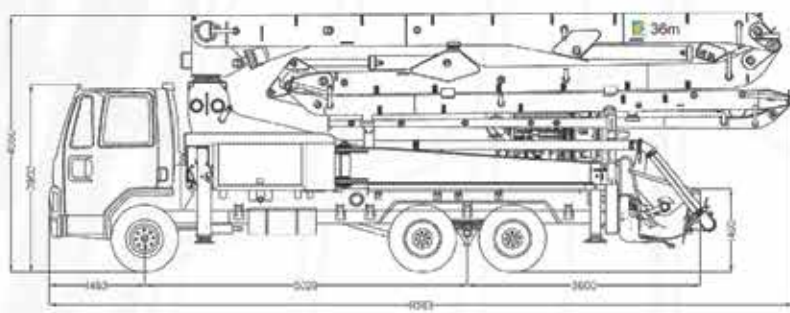


Reach Diagram:

Reach Diagram 20m Boom (Z Fold)



Reach Diagram 36m Boom (Z Fold)



⚠ Range in which you must not work with the end hose.

Performance of equipment is based on standard working conditions. Design / Specifications can be changed without prior notice.



AQUARIUS ENGINEERS PVT. LTD.
Concrete Pumps, Batching Plants, Boom Pumps
An ISO 9001 : 2015 Certified Company

'Aquarius House', Sheelavihar Colony, Off Karve Road,
 Pune 411 038. INDIA Tel.: +91 20 2544 5227 / 28
 E-mail: enquiries@aquariusengineers.biz
 Web: www.aquariusengineers.biz

Mfg. by: Putzmeister India Pvt. Ltd.
 190, 191, Kundaim Industrial Estate, Kundaim, Goa 403 115. India

Local Contact:

CONCRETE TECHNOLOGY
 102/1, West Agargaon (7th Floor),
 Sher-E-Banglanagar, Dhaka 1207.
 Cell: 01614-099906,07,10
 E-mail: info@concretetechnology.com.bd
 Web: www.concretetechnology.com.bd